

## FS2-65

Fiber Amplifier, Cable Type, NPN



## SPECIFICATIONS

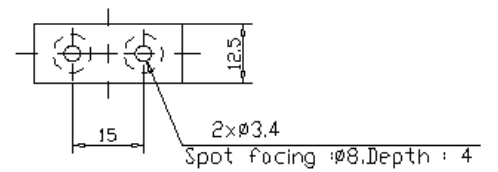
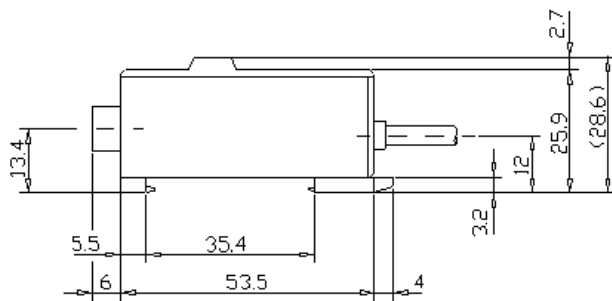
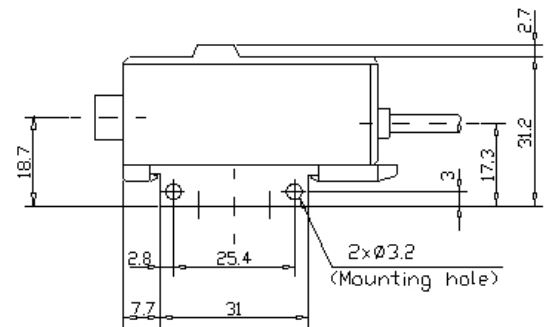
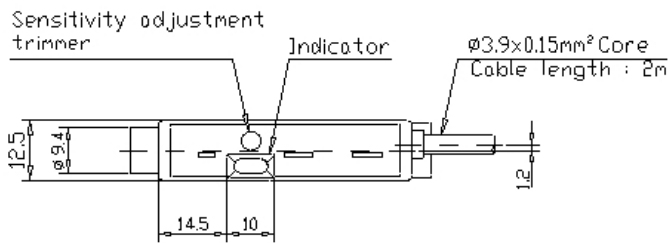
Model	FS2-65	
Type	Trimmer: High-speed response	
Light source	Red LED	
Sensitivity adjustment	8-turn trimmer	
Response time	50 $\mu$ s	
Operation mode	LIGHT-ON/DARK-ON (switch-selectable)	
Indicator lamp	Output: Red LED Stable operation: Green LED	
Timer function	ON-delay: 40 ms/OFF-delay: 40 ms/Timer OFF (switch-selectable)	
External calibration input signal	—	
Buzzer mode	Buzzer ON when control output turns ON/Buzzer ON when alarm output turns ON/Buzzer OFF (switch-selectable)	
Output	NPN output	
Control output	NPN open-collector 100 mA max. (40 V max.), Residual voltage 1 V max.	
Stability output	NPN open-collector 50 mA max. (40 V max.), Residual voltage 1 V max.	
Protection circuit	Reversed polarity protection, Overcurrent protection, Surge absorber	
Rating	Power voltage	12 to 24 VDC $\pm$ 10 %, Ripple (P-P) 10 % or less
	Current consumption	35 mA or less
Environmental resistance	Ambient light	Incandescent lamp: 10,000 lux max., Sunlight: 20,000 lux max.
	Ambient temperature	-10 to +55 °C 14 to 131 °F (No freezing)
	Relative humidity	35 to 85 % RH (No condensation)
	Vibration resistance	10 to 55 Hz, Double amplitude 1.5 mm 0.06", 2 hours in each of the X, Y, and Z directions
	Shock resistance	500 m/s <sup>2</sup> , 3 times in each of the X, Y, and Z directions
Material	Polycarbonate	
Weight	Approx. 61 g	

Dimensions

\* Download CAD file or product manual for larger image/text and more detail.

FS2-65

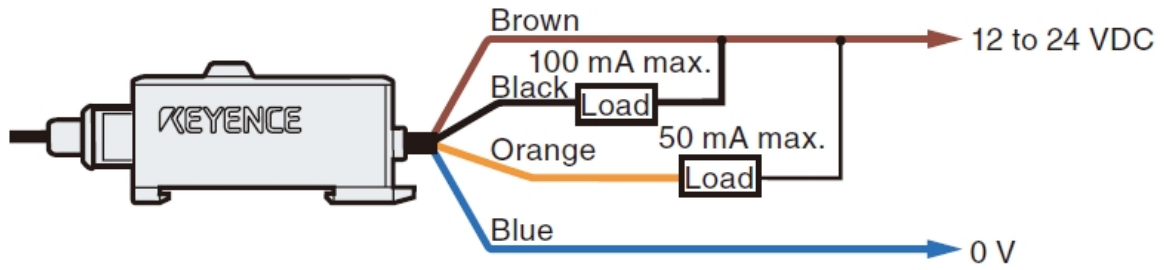
When mounting bracket is attached



## I/O Circuit Connection diagram

\* Download CAD file or product manual for larger image/text and more detail.

**When driving the load directly  
(NPN output)**



**When connecting the fibre sensor to voltage input/output  
equipment (Low level when the output is on)  
(NPN output)**

