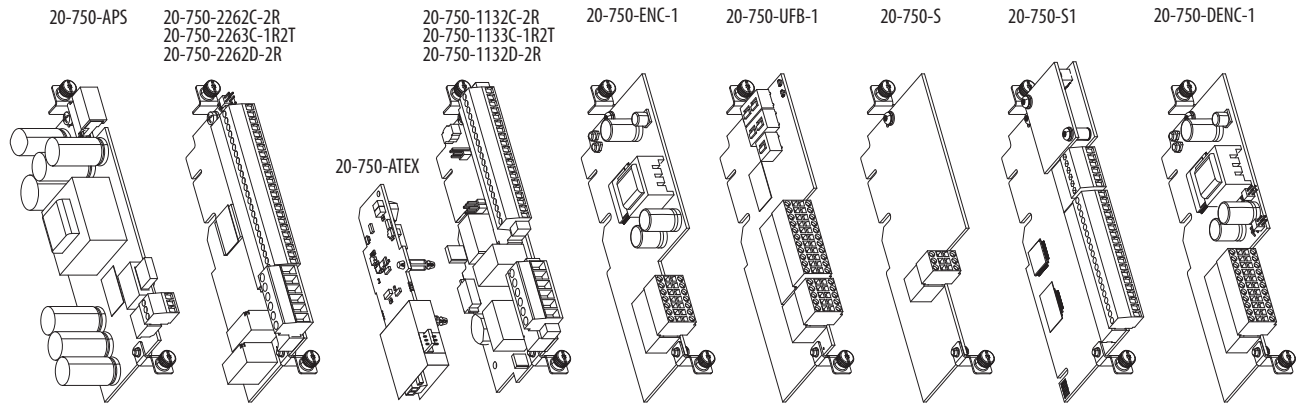


PowerFlex 750-Series Option Modules

These instructions cover the installation of the option modules listed below.
 For instructions on installing Network Communication option modules, refer to publication [750COM-IN002](#).

Compatible Ports



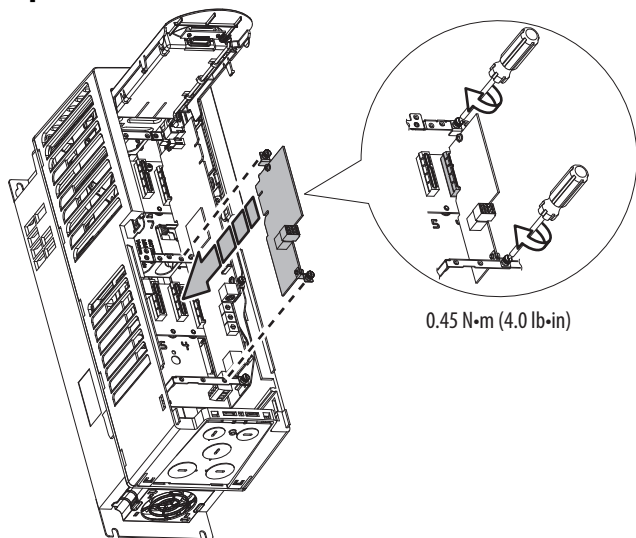
Option Module
Cat. No. 20-750-
APS
2262C-2R, 2263C-1R2T, 2262D-2R
1132C-2R, 1133C-1R2T, 1132D-2R
1132C-2R, 1133C-1R2T, 1132D-2R with 20-750-ATEX installed ⁽¹⁾
ENC-1
UFB-1
S
S1 ⁽²⁾
DENC-1 ⁽²⁾

PowerFlex 753 Drives					
Frame 1 Ports			Frame 2...7 Ports		
6	5	4	6	5	4
See Page 2			See Page 2		
No	Yes	Yes	Yes	Yes	Yes
No	Yes	Yes	Yes	Yes	Yes
No	Yes	Yes	No	Yes	Yes
No	Yes	Yes	Yes	Yes	Yes
Not Supported					
Yes	Yes	Yes	Yes	Yes	Yes
Yes	Yes	Yes	Yes	Yes	Yes
No	Yes	Yes	Yes	Yes	Yes

PowerFlex 755 Drives							
Frame 1 Ports				Frame 2...10 Ports			
6	5	4	8	7	6	5	4
See Page 2				Yes	No	No	No
No	Yes	Yes	Yes	Yes	Yes	Yes	Yes
No	Yes	Yes	Yes	Yes	Yes	Yes	Yes
No	Yes	Yes	No	No	No	Yes	Yes
No	Yes	Yes	Yes	Yes	Yes	Yes	Yes
No	Yes	Yes	No	No	Yes	Yes	Yes
Yes	Yes	Yes	Yes	Yes	Yes	Yes	Yes
Yes	Yes	Yes	No	No	Yes	Yes	Yes
No	Yes	Yes	Yes	Yes	Yes	Yes	Yes

(1) For detailed instructions on installation of 11-Series I/O with the ATEX option module, refer to the PowerFlex 750-Series ATEX User Manual, publication [750-UM003](#).
 (2) See Using 20-750-S1 with 20-750-DENC-1.

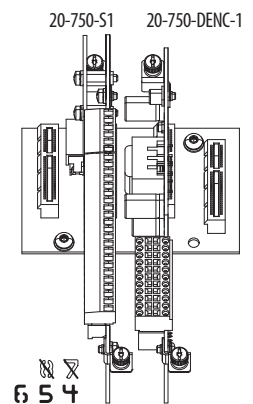
Option Module Installation



Using 20-750-S1 with 20-750-DENC-1

IMPORTANT: When a Safe Speed Monitor option (20-750-S1) is used with a Dual Incremental Encoder option (20-750-DENC-1) both modules must be installed on the same backplane (ports 6, 5, 4).

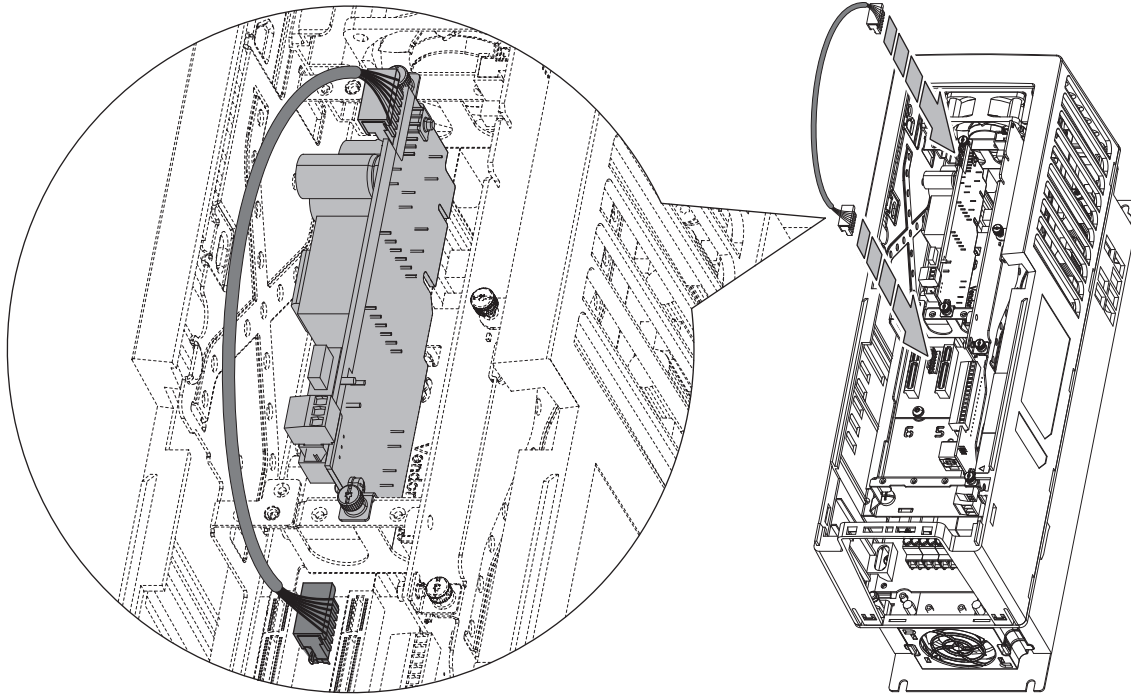
IMPORTANT: Only one safety option module can be installed at a time. Multiple safety options or duplicate safety option installations are not supported.



Auxiliary Power Supply (20-750-APS) Installation

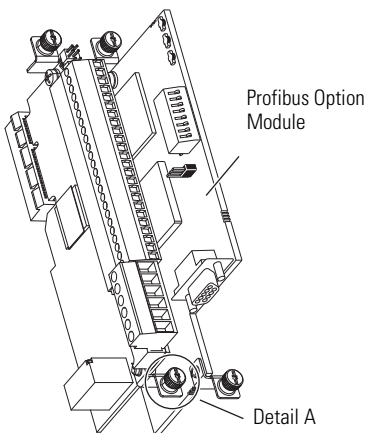
A connector cable is provided with Auxiliary Power Supply option module for use in PowerFlex 753 Drives and in PowerFlex 755 Frame 1 drives. The cable is used to connect the module to the backplane when installed on the upper control pod brackets.

IMPORTANT: Do not use the Auxiliary Power Supply option module with Frame 8 and larger drives. Refer to the PowerFlex 750-Series AC Drives Installation Instructions, publication [750-IN001](#) for information on connecting an external power supply to Frame 8 and larger drives.



Option Module Installation next to a Profibus Option Module

If a PowerFlex 20-750-PBUS Profibus option module resides in the adjacent port to the right of the port in which the new module is being installed, the lower T15 Torx™ head mounting screw (see Detail A) of the new module may electrically contact the metal Profibus cable connector attached to the Profibus option module. This may cause faulty operation. To help prevent this, perform the steps below. If a PowerFlex 20-750-PBUS Profibus option module is not in that port, disregard these steps.



1. Remove the lower T15 Torx head mounting screw shown in Detail A, from the new module being installed.

To remove the captive T15 Torx head screw, the module must be removed to back the screw out of the mounting clip.

2. Replace the larger T15 Torx head screw with the smaller spare T8 Torx head mounting screw that was shipped with the PowerFlex 20-750-PBUS Profibus option module.

U.S. Allen-Bradley Drives Technical Support - Tel: (1) 262.512.8176, Fax: (1) 262.512.2222, E-mail: support@drives.ra.rockwell.com,
Online: www.ab.com/support/abdrives

www.rockwellautomation.com



PN-311992

Power, Control and Information Solutions Headquarters

Americas: Rockwell Automation, 1201 South Second Street, Milwaukee, WI 53204-2496 USA, Tel: (1) 414.382.2000, Fax: (1) 414.382.4444

Europe/Middle East/Africa: Rockwell Automation, Pegasus Park, De Kleetlaan 12a, 1831 Diegem, Belgium, Tel: (32) 2 663 0600, Fax: (32) 2 663 0640

Asia Pacific: Rockwell Automation, Level 14, Core F, Cyberport 3, 100 Cyberport Road, Hong Kong, Tel: (852) 2887 4788, Fax: (852) 2508 1846

Publication 750-IN002F-MU-P – April 2015

Supersedes 750-IN002E-MU-P – July 2013

Copyright © 2015 Rockwell Automation, Inc. All rights reserved. Printed in USA.