



OP-5148

PNP Adapter



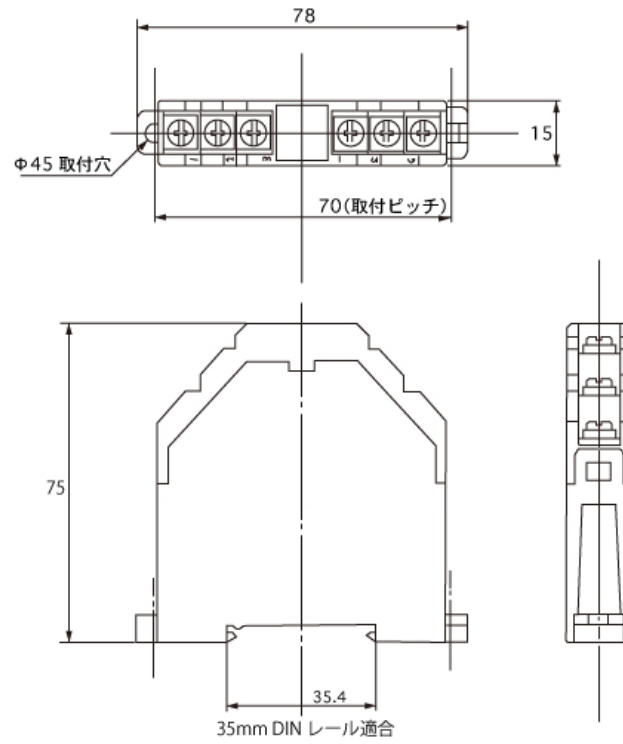
## Specifications

Model	OP-5148
Type	PNP Adapter
Overview	Adapter to convert NPN output to PNP output.
Applicable product	NPN output sensor

**Dimensions**

\* Download CAD file or product manual for larger image/text and more detail.

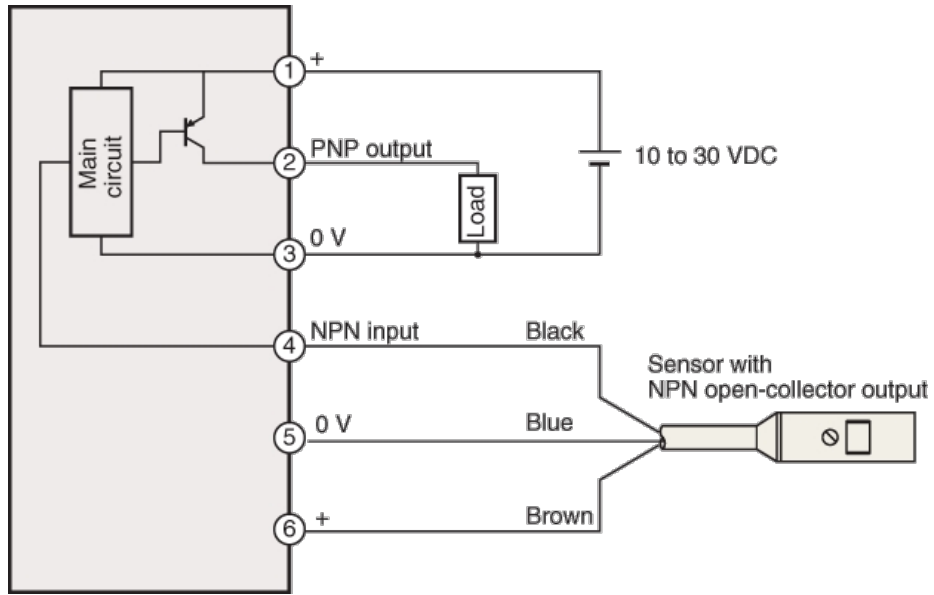
op\_5148\_dimension\_01.gif



I/O Circuit Connection diagram

\* Download CAD file or product manual for larger image/text and more detail.

Connections



Terminals (1) and (6) are internally connected.  
 Terminals (3) and (5) are internally connected.