

## FS-M1H

Fiber Amplifier, Cable Type, Main Unit, NPN

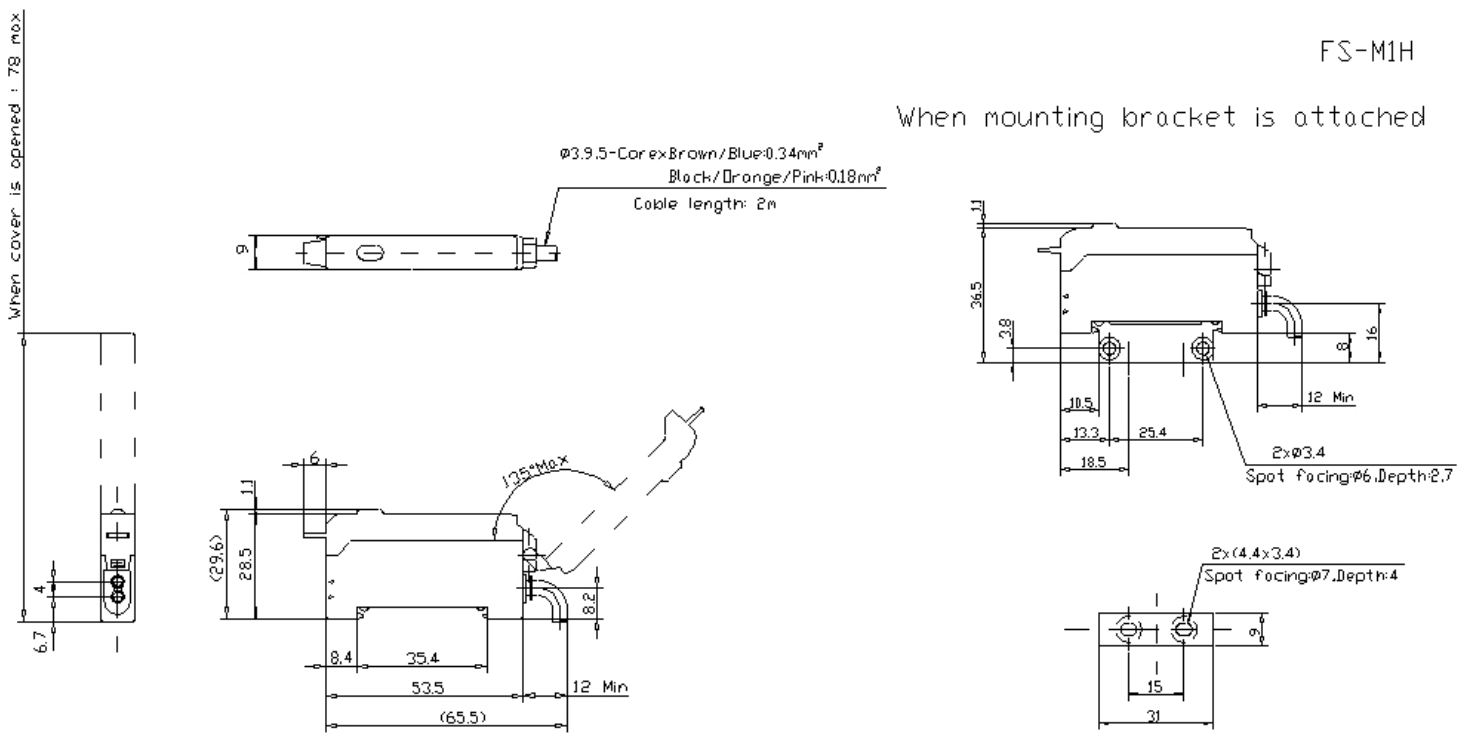


## Specifications

Model	FS-M1H	
Light source	Red LED	
Sensitivity adjustment/Mode selection	8-turn trimmer (with indicator), FINE/TURBO (switch-selectable)	
Response time	20 $\mu$ s (FINE) /50 $\mu$ s (TURBO)	
Operation mode	LIGHT-ON/DARK-ON (switch-selectable)	
Indicator lamp	Output: Red LED Stable operation: Green LED	
Timer function	ON-delay: 40 ms/OFF-delay: 40 ms/Timer OFF (switch-selectable)	
Control output	NPN open-collector 100 mA max. (24 VDC max.), Residual voltage: 1 V max.	
Stability output	NPN open-collector: 50 mA max. (40 VDC max.), Residual voltage: 1 V max.	
Protection circuit	Reversed polarity protection, over-current protection, surge absorber	
Rating	Power voltage	12 to 24 VDC $\pm$ 10 %, Ripple (P-P) 10 % or less
	Current consumption	35 mA or less
Environmental resistance	Ambient light	Incandescent lamp: 10,000 lux max., Sunlight: 20,000 lux max.
	Ambient temperature	-10 to +55 °C 14 to 131 °F (No freezing) <sup>*1</sup>
	Relative humidity	35 to 85 % RH (No condensation)
	Vibration resistance	10 to 55 Hz, Double amplitude 1.5 mm 0.06", 2 hours in each of the X, Y, and Z directions
	Shock resistance	500 m/s <sup>2</sup> , 3 times in each of the X, Y, and Z directions
Case material	Polycarbonate	
Weight	Approx. 75 g	
<p><sup>*1</sup> When several units are connected, the ambient temperature requirement varies depending on the total number of units connected.  When 3 to 10 units: -10 to +50 °C 14 to 122 °F  When 11 to 16 units: -10 to +45 °C 14 to 113 °F  When connecting several units, be sure to mount the units to a metallic DIN rail. Make sure that the output current does not exceed 20 mA.</p>		

Dimensions

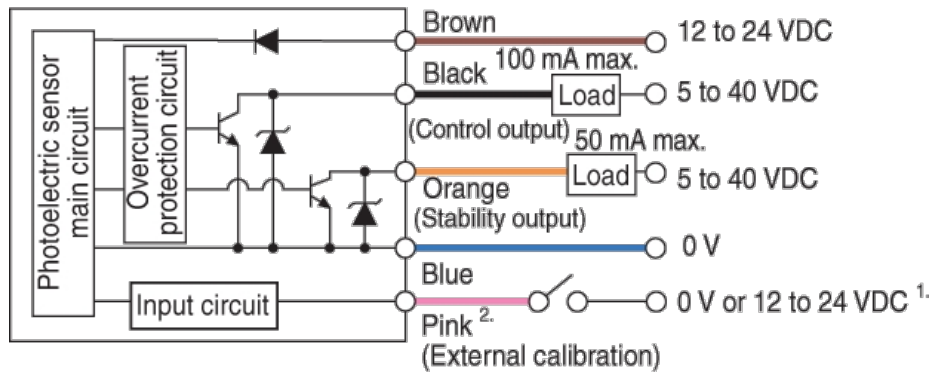
\* Download CAD file or product manual for larger image/text and more detail.



## I/O Circuit Connection diagram

\* Download CAD file or product manual for larger image/text and more detail.

### I/O Circuit



1. When the external calibration input is not used, cut the pink cable at the root, or connect this cable to the positive terminal of the power supply.

2. The FS-M1/M1H does not have a pink cable (for external calibration).

When the stability output is not used, cut the orange cable at the base, or connect this cable to the 0 V terminal of the power supply.