

FU-69U

Reflective Fiber Unit



Specifications

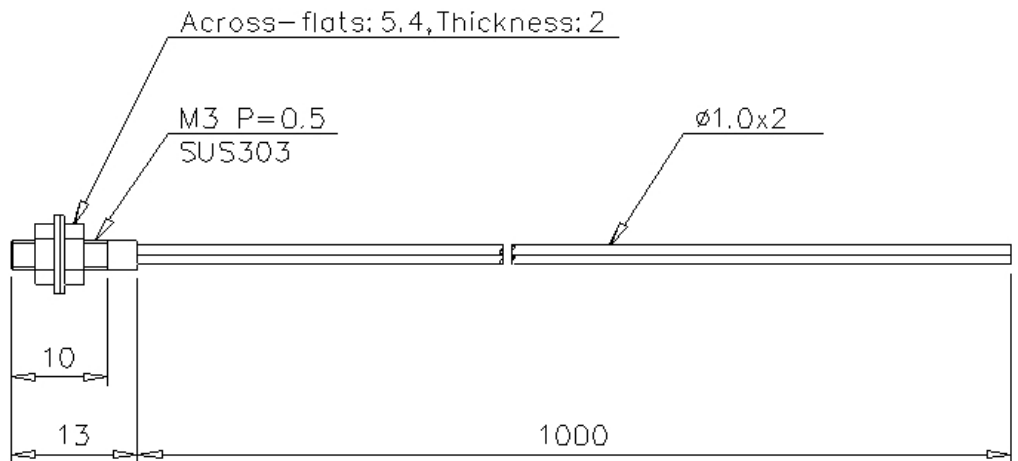
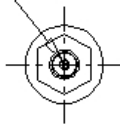
Model	FU-69U ^{*1}	
Fibre unit length	1 m39.37" free-cut	
Minimum bend radius	R2 mm0.079"	
Minimum detectable object	Gold wire with a diameter of 0.005 mm0.0002" ^{*2}	
Tightening torque	0.6 Nm	
Environmental resistance	Ambient temperature	-40 to +50 °C -40 to 122 °F (No freezing)
	Relative humidity	35 to 85 % RH (No condensation)
Material	Core fiber : acrylic, fiber sheath : nylon, case : SUS303	
Accessories	Fiber cutter, FU adapter, mounting screws	
Weight	Approx. 4 g	
^{*1} For details on the detecting distance, see the fiber amplifier catalog. ^{*2} The minimum detectable object is the value when the detecting distance and sensitivity have been set to their optimal state.		

Dimensions

* Download CAD file or product manual for larger image/text and more detail.

FU-69U

∅0.5x2
Core fiber



Across-flats: 5.4, Thickness: 2

M3 P=0.5
SUS303

∅1.0x2

10

13

1000