



EZ-18T

Main Unit, Flat Type, NPN



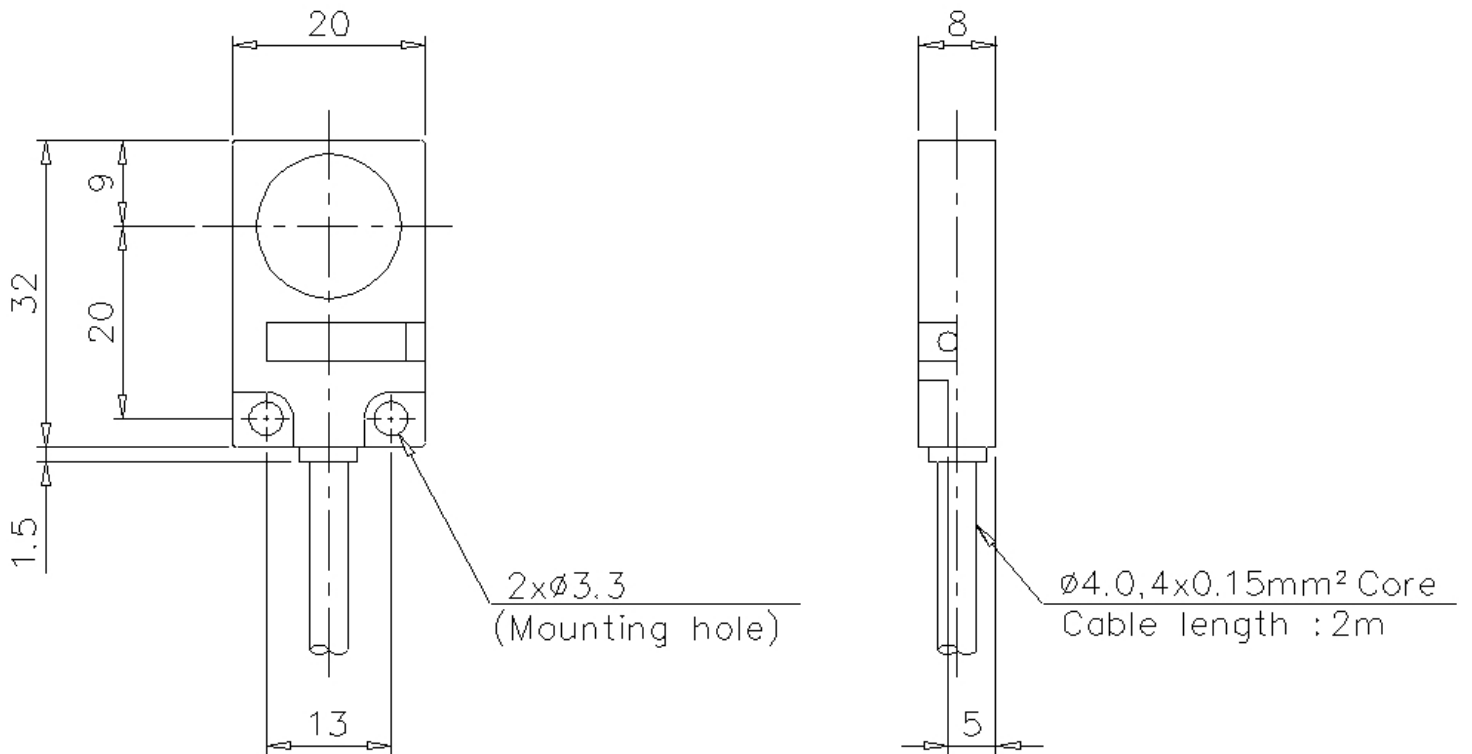
Specifications

Model	EZ-18T	
Type	Shielded	
Shape	20 x 32 x 8 mm 0.79" x 1.26" x 0.31"	
Detecting distance	5 mm 0.20" ±10%	
Detectable object	Ferrous metals (see Characteristics for nonferrous metals)	
Standard target (iron, t=1mm 0.04")	18 x 18 mm 0.71" x 0.71"	
Hysteresis	10% max. of detecting distance	
Response frequency	350 Hz	
Operation mode	N.O./N.C.	
Temperature characteristics	±10% max. of detecting distance at +23°C 73.4°F, within -25 to +70°C -13 to 158°F	
Control output	NPN open collector 100 mA max. (40 V max.), Residual voltage: 1 V max.	
Cable length	2 m 6.6'	
Rating	Power voltage	12 to 24 VDC ±10 %, Ripple (P-P) 10 % or less
	Current consumption	13 mA or less
Environmental resistance	Enclosure rating	IP67
	Ambient temperature	-25 to +80 °C -13 to 176 °F (No freezing)
	Relative humidity	35 to 95 % RH (No condensation)
	Vibration resistance	10 to 55 Hz, Double amplitude 1.5 mm 0.06", 2 hours in each of the X, Y, and Z directions
	Shock resistance	1,000 m/s ² , 3 times in each of the X, Y, and Z directions
Case material	Aluminium die-cast	
Accessories	Screw nut x 2, toothed washer x 1	
Weight	Approx. 55 g	

Dimensions

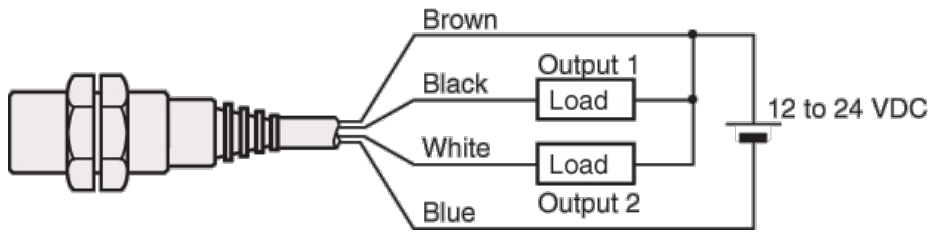
* Download CAD file or product manual for larger image/text and more detail.

EZ-18T

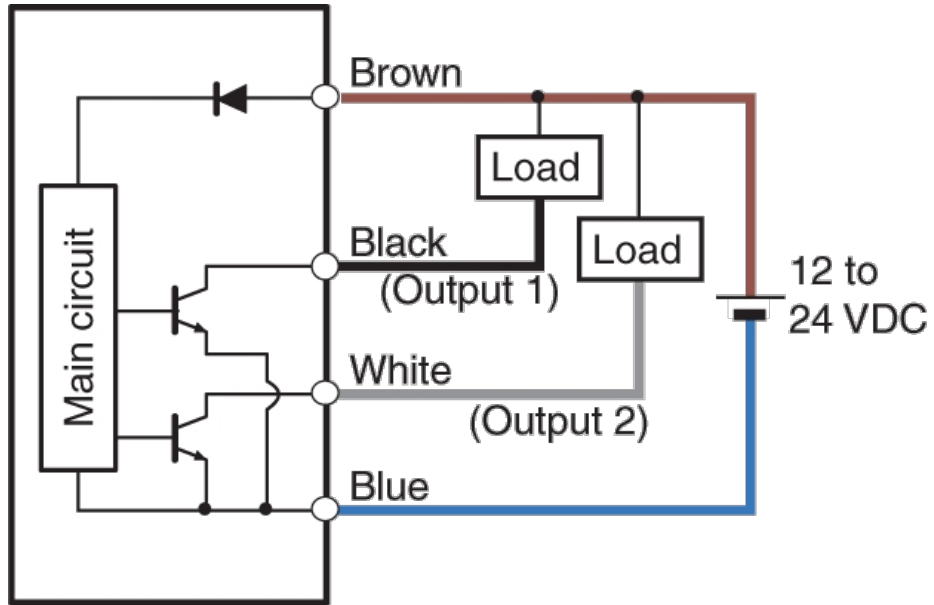


I/O Circuit Connection diagram

* Download CAD file or product manual for larger image/text and more detail.



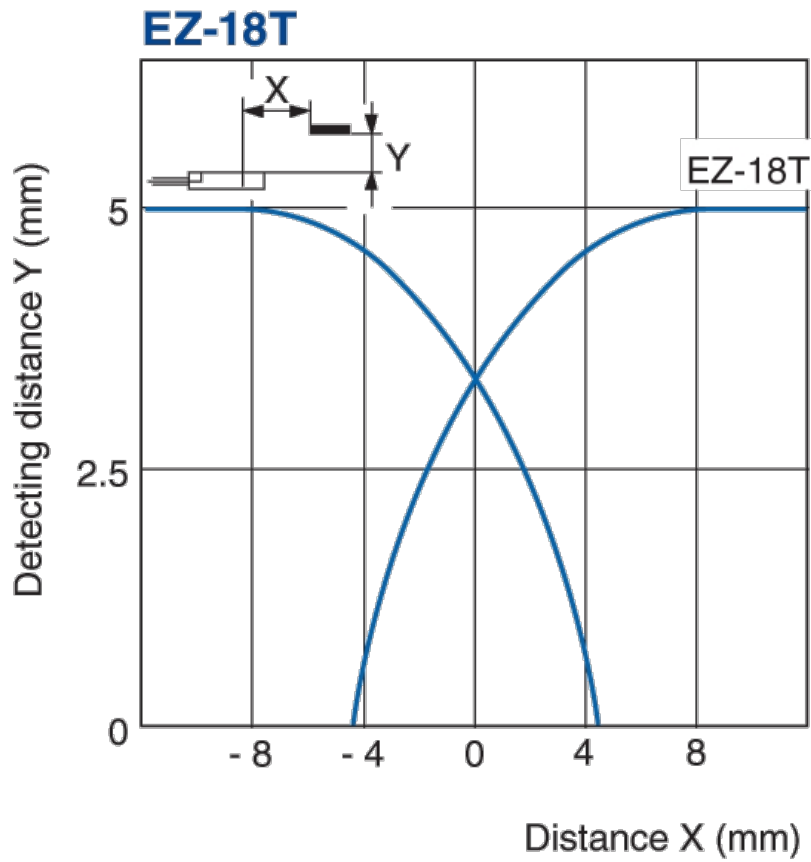
Input/Output Circuits



Characteristic

* Download CAD file or product manual for larger image/text and more detail.

Detecting distance vs. size and material of target (Typical)



Detecting distance vs. size and material of target (Typical)

