



## PZ2-62

Square retro-reflective Cable Type, NPN

## Specifications

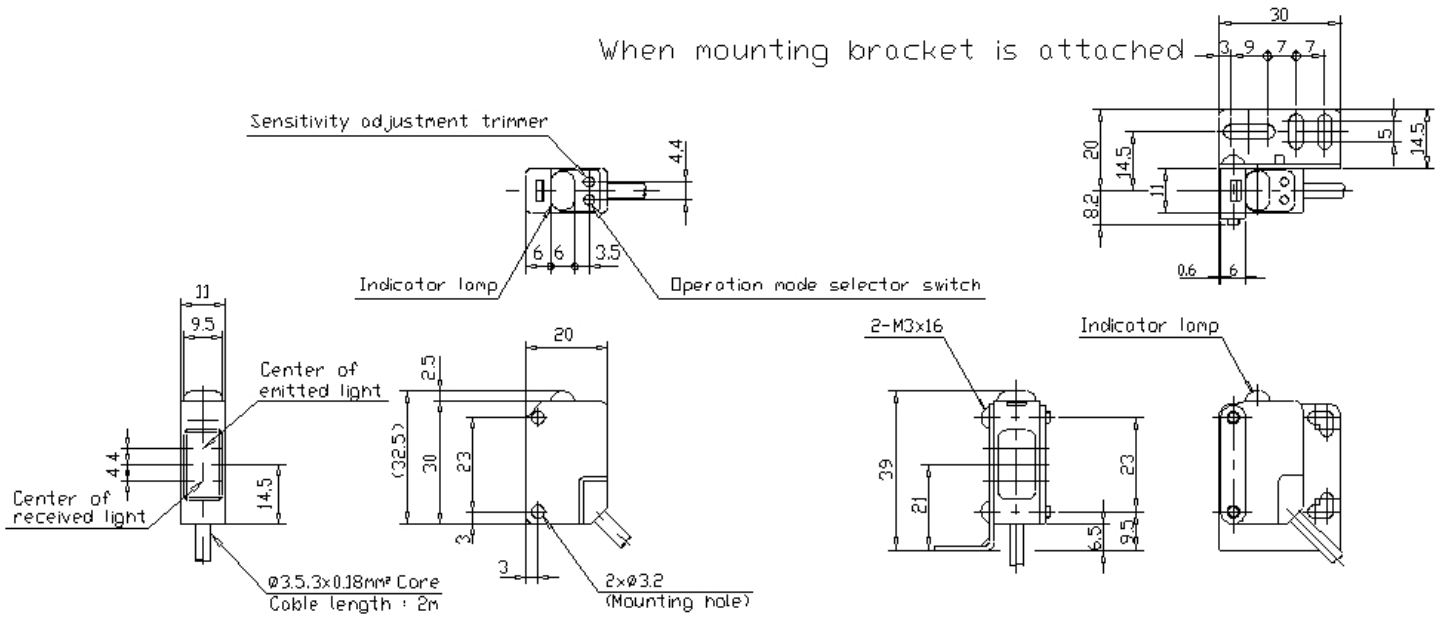
Model	PZ2-62	
Type	Retro-reflective model (for transparent object detection)	
Detection distance	500 mm (with R-2)	
Light source	Red LED	
Detectable object	Transparent and opaque	
Sensitivity adjustment	1-turn trimmer (240°)	
Response time	1 ms max.	
Operation mode	LIGHT-ON/DARK-ON (switch-selectable)	
Indicator lamp	Output indicator: Red LED, Stable operation indicator: Green LED	
Control output	NPN: 100 mA max. (40 V max.), Residual voltage: 1 V max.	
Protection circuit	Reversed polarity, overcurrent protection, surge absorber	
Rating	Power voltage	12 to 24 VDC $\pm 10\%$ , Ripple (P-P) 10 % or less
	Current consumption	35 mA or less
Environmental resistance	Enclosure rating	IP67
	Ambient light	Incandescent lamp: 5,000 lux max., Sunlight: 20,000 lux max.
	Ambient temperature	-20 to +55 °C -4 to 131 °F (No freezing)
	Relative humidity	35 to 85 % RH (No condensation)
	Vibration resistance	10 to 55 Hz, Double amplitude 1.5 mm 0.06", 2 hours in each of the X, Y, and Z directions
	Shock resistance	1,000 m/s <sup>2</sup> , 6 times in each of the X, Y, and Z directions
Case material	Glass-fiber reinforced plastic	
Weight	Approx. 50 g (including 2-m 6.6' connector cable)	

Dimensions

\* Download CAD file or product manual for larger image/text and more detail.

PZ2-62

When mounting bracket is attached



Mounting bracket

