

EH-303A

Sensor Head, Shielded Type, f3.8



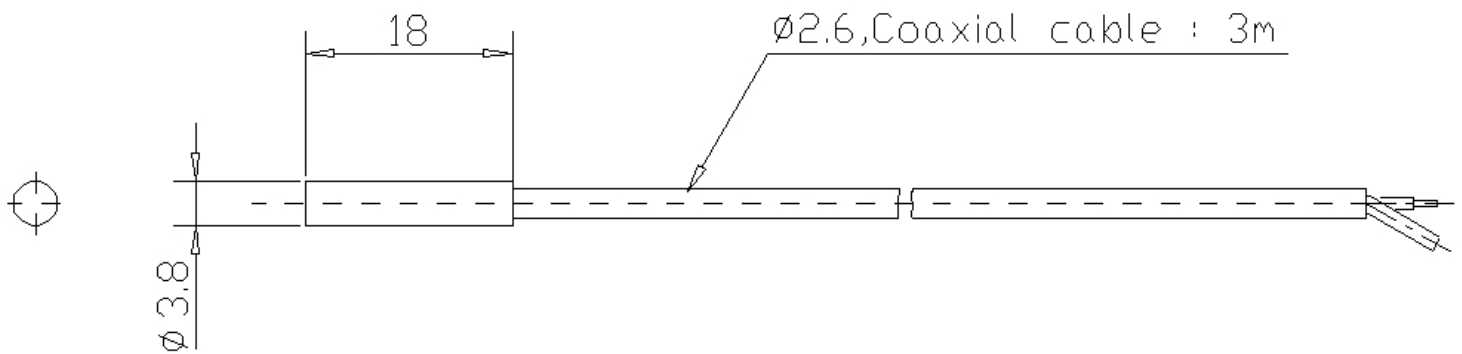
## Specifications

Model	EH-303A	
Type	Standard , Shielded , Cylindrical	
Detectable object	Ferrous metals (see Characteristics for nonferrous metals)	
Standard target (iron, t=1 mm 0.04")	5 x 5 mm0.02"	
Stable detecting range	0 to 0.8 mm0.03"	
Maximum detecting distance	2 mm0.08"	
Hysteresis	0.05 mm0.002"	
Repeatability	0.002 mm0.00008"	
Temperature characteristics	±10% max. of detecting distance at 23°C 73.4°F, within -10 to +60°C 14 to 140°F	
Environmental resistance	Enclosure rating	IP67
	Ambient temperature	-10 to +60 °C 14 to 140 °F (No freezing)
	Relative humidity	35 to 85 % RH (No condensation)
Weight	Approx. 38 g (including nuts and 3-m 9.8' cable)	

Dimensions

\* Download CAD file or product manual for larger image/text and more detail.

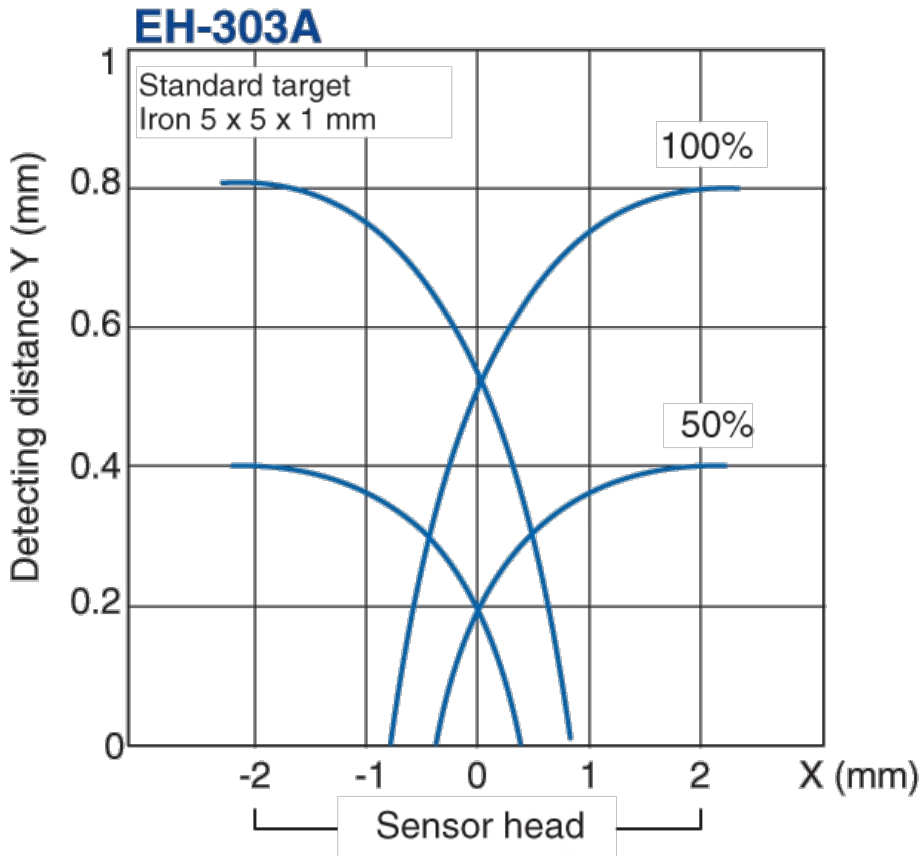
EH-303A



Characteristic

\* Download CAD file or product manual for larger image/text and more detail.

Characteristics



Detecting distance vs. size and material of target (Typical)

