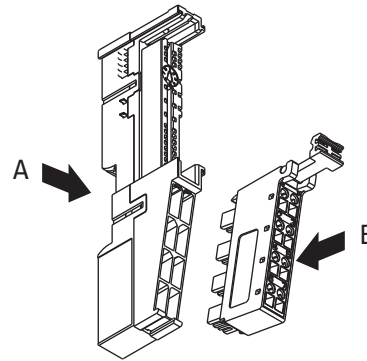


Each assembly includes a removable terminal block (RTB) provides 8 or 12 separate terminal locations for field wiring. The RTB also provides vertical access to wire and screw terminations. A separate terminal point is provided for each wire, including a shield ground terminal point for 2-point analog modules.

POINT I/O Removable Terminal Base Assembly



45103

Each terminal base assembly includes a base (A) that mounts onto the DIN-rail and a removable terminal block (B) for I/O wiring.

Once the RTB is wired properly, you never need to rewire terminations. The RTB separates independently of the I/O mounting base and I/O module to facilitate rapid installation and commissioning of the system. Each terminal is numbered on the bottom of the RTB to simplify troubleshooting during commissioning or maintenance cycles. Spare or replacement RTBs can be ordered separate from the terminal base assembly.

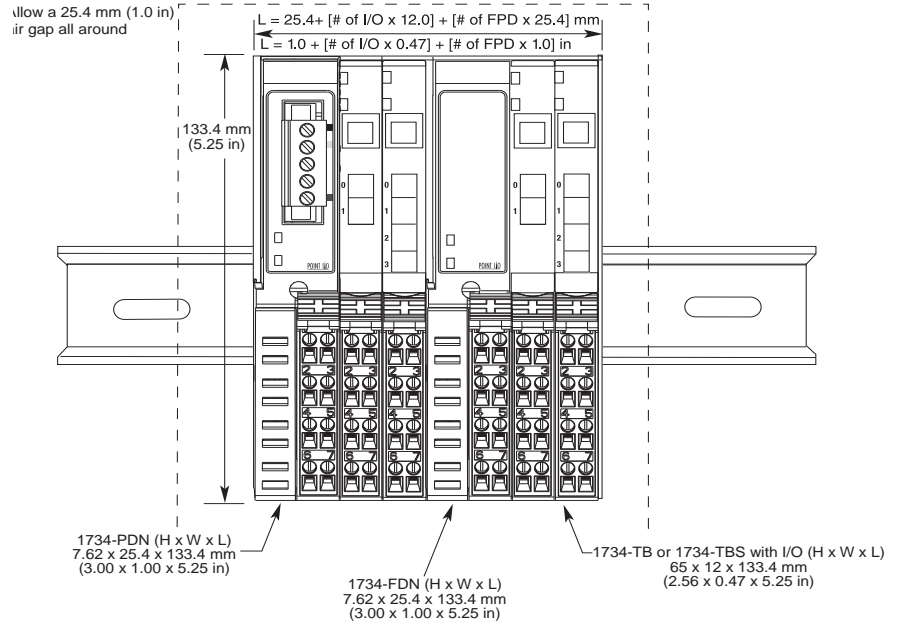
Terminal Base Assemblies

Terminal Base Assembly Cat. No.	Description	Terminal Base Screw Torque	Replacement RTB Cat. No.
1734-TB	Mounting base with 8-terminal cage-clamp RTB	0.6 Nm (7 lb-in)	1734-RTB
1734-TBS	Mounting base with 8-terminal spring-clamp RTB		1734-RTBS
1734-TB3	Mounting base with 12-terminal cage-clamp RTB		1734-RTB3
1734-TB3S	Mounting base with 12-terminal spring-clamp RTB		1734-RTB3S
1734-TBCJC ⁽¹⁾	Mounting base with cold-junction compensation RTB	0.5...0.6 Nm (5...7 lb-in)	1734-RTBCJC ⁽¹⁾

⁽¹⁾ For use with the 1734-IT21 thermocouple input module.

Approximate Mounting Dimensions

POINT I/O with 1734-PDN Mounting Dimensions



IMPORTANT

When mounting the 1734-IB8S, 1734-OB8S, and 1734-IE4S modules, ensure that there is 2 in. of clearance space above the POINT rail.