



SZ-VH1X

Scanner head with camera function



*Please note that accessories depicted in the image are for illustrative purposes only and may not be included with the product.

Specifications

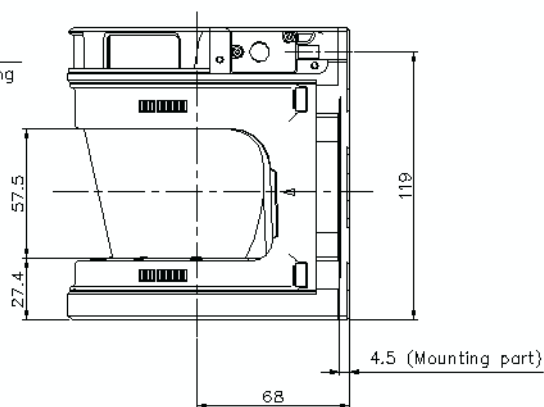
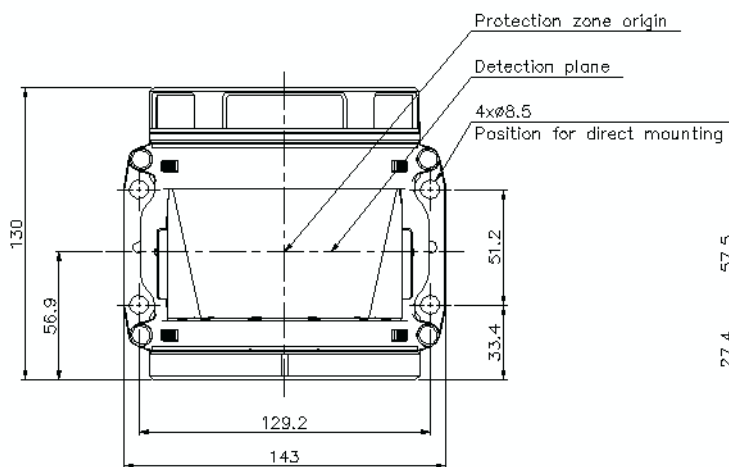
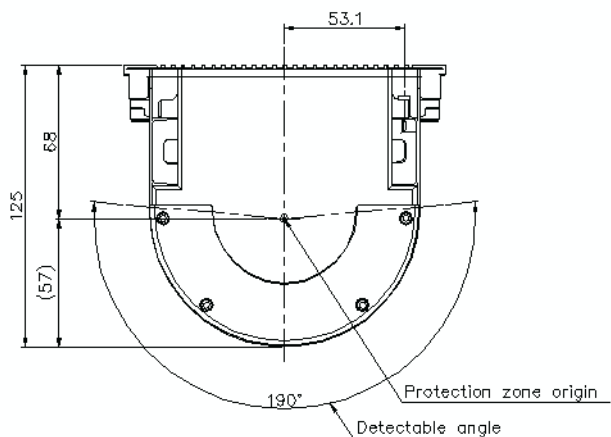
Model	SZ-VH1X
Type	Camera type
Weight	Approx. 1,600 g

Dimensions

* Download CAD file or product manual for larger image/text and more detail.

sz-vh1_vh1x_dimension_01.gif

SZ-VH1(X)



szvh1_x_vb21_dimension_01.gif

SZ-VH1(X)+SZ-VB21

