



EM-030P

Main Unit, Shielded Type, f3, PNP

CE

*Please note that accessories depicted in the image are for illustrative purposes only and may not be included with the product.

Specifications

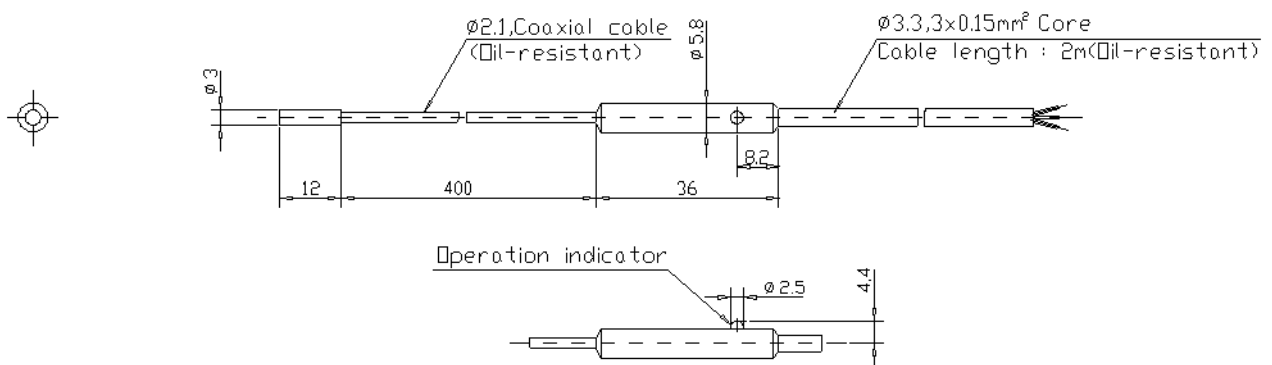
Model	EM-030P	
Type	Shielded	
Shape	3 mm 0.12" dia Cylindrical.	
Detecting distance	0.6 mm 0.02" ±15%	
Detectable object	Ferrous metals (see Characteristics for non-ferrous metals)	
Standard target (iron, t=1 mm 0.04")	5 x 5 mm 0.20"	
Hysteresis	10% max. of detecting distance	
Response frequency	1.2 kHz	
Operation mode	N.O.	
Temperature characteristics	±10% max. of detecting distance at +23°C 73.4°F, within -10 to +70°C 14 to 158°F	
Display indicator	Red LED	
Output	PNP	
Control output	PNP: 200 mA (30 V) max., Residual voltage: 1 V max.	
Housing	Stainless steel	
Rating	Power voltage	10.8 to 30 VDC, Ripple (P-P) 10 % or less*1
	Current consumption	20 mA or less
Environmental resistance	Enclosure rating	IP67
	Ambient temperature	-25 to +80 °C -13 to 176 °F (No freezing)
	Relative humidity	35 to 95 % RH (No condensation)
Weight	Approx. 36 g (including nuts and 2-m 6.6' cable)	

*1 Make sure that the power voltage stays within 10.8 V to 30 V even if it is affected by ripple effects.

Dimensions

* Download CAD file or product manual for larger image/text and more detail.

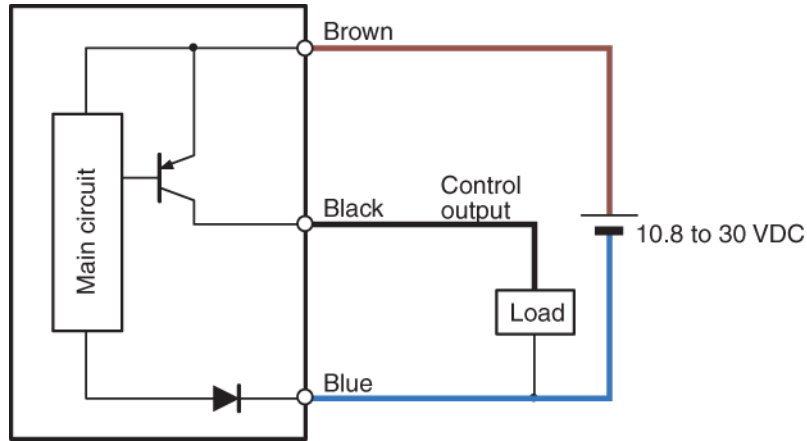
EM-030



I/O Circuit Connection diagram

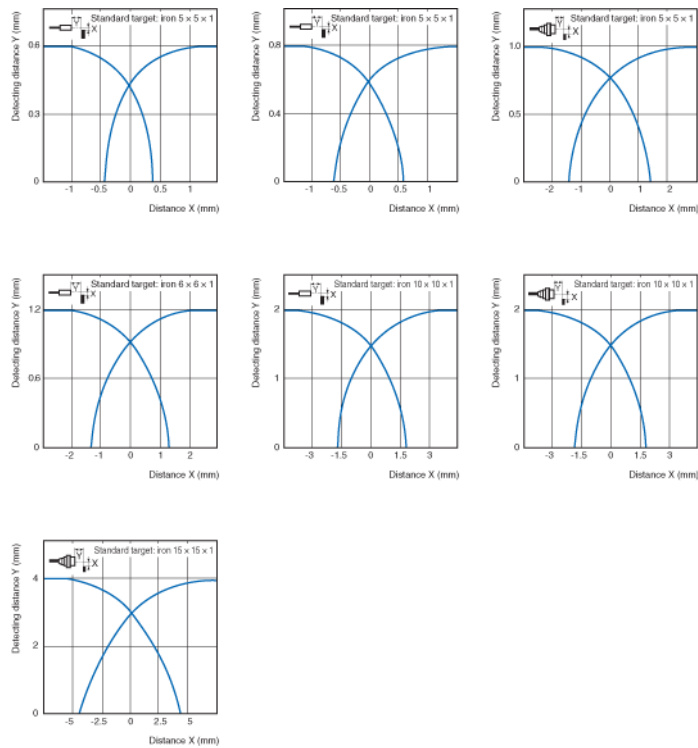
* Download CAD file or product manual for larger image/text and more detail.

PNP



Characteristic

* Download CAD file or product manual for larger image/text and more detail.



Detecting distance vs. size and material of target (Typical)

