



LR-XN11C

Separate Amplifier Model, Amplifier Units Main unit (M8 Connector Type)



*Please note that accessories depicted in the image are for illustrative purposes only and may not be included with the product.

Specifications

Model	LR-XN11C	
Type	NPN Output/PNP Output (Selectable output)	
Cable/Connector	M8 connector*1	
Main Unit/Expansion Unit	Main Unit (expansion not possible)	
No. of Control Outputs	2*2	
No. of External Inputs	1*2	
Response Time	500 μ s*3/1 ms/3 ms/10 ms/200 ms Selectable	
IO-Link	Specification v1.1/COM2 (38.4 kbps)	
Functions	Timer Function	Timer OFF/Off-delay/On-delay/One-shot/On-Off delay/On-delay One-shot
I/O	Control Output	Open collector, 30 VDC or lower, N.O./N.C. 100 mA or lower for 1 output; 100 mA or lower in total for 2 outputs Residual voltage NPN: 1.4 V or lower (output current: 10 mA or lower)/2 V or lower (output current: 10 to 100 mA), PNP: 1.6 V or lower (output current: 10 mA or lower)/2.2 V or lower (output current: 10 to 100 mA)
	External Input	External Set/Laser OFF/Zero Shift/Hold Reset/Gyro Alert RST selectable Short circuit current - NPN: 1 mA or lower, PNP: 2 mA or lower Input time: 3 ms or more ON, 20 ms or more OFF (25 ms or more ON, 25 ms or more OFF only when External Set is selected)
Unit Expansion	—	
Protection Circuit	Protection against reverse power connection, protection against output overcurrent, protection against output surge, protection against reverse output connection	
Number of Interference Prevention Devices	—	
Power supply	Power voltage	16 to 30 VDC*4 (including 10% ripple (P-P) or less), class 2
	Power consumption	During normal operation: 1150 mW (47 mA or lower at 24 V, 64 mA or lower at 16 V), ECO ON/ALL: 985 mW (40 mA or lower at 24 V, 53 mA or lower at 16 V) (excluding Load Current)
Environmental resistance	Ambient temperature	-20 to +55°C -4°F to 131°F (no freezing)*5
	Relative humidity	35 to 85% RH (no condensation)
	Vibration resistance	10 to 500 Hz; Power Spectral Density: 0.816 G ² /Hz; X, Y, and Z directions
	Shock resistance	500 m/s ² (50G); 3 times each for X, Y, and Z axes
Case Material	Main Unit and Cover: Polycarbonate	
Accessories	Instruction manual	
Weight	Approx. 22 g	

*1 Ensure the cable length is 30 m [98.4'](#) or less for the M8 connector type. Ensure the cable length is 20 m [65.6'](#) or less when connecting via IO-Link.

*2 Output 2 and the external input are selectable.

*3 If 500 μ s is selected, the following limitations apply.

- Only 2-point calibration can be performed.
- The detection range masking is set during calibration. (Manual setting of the masking range is not supported.)
- Output 2 is limited to an alarm output for errors and gyro issues, and standard/area cannot be used.

· The interference prevention function is not supported

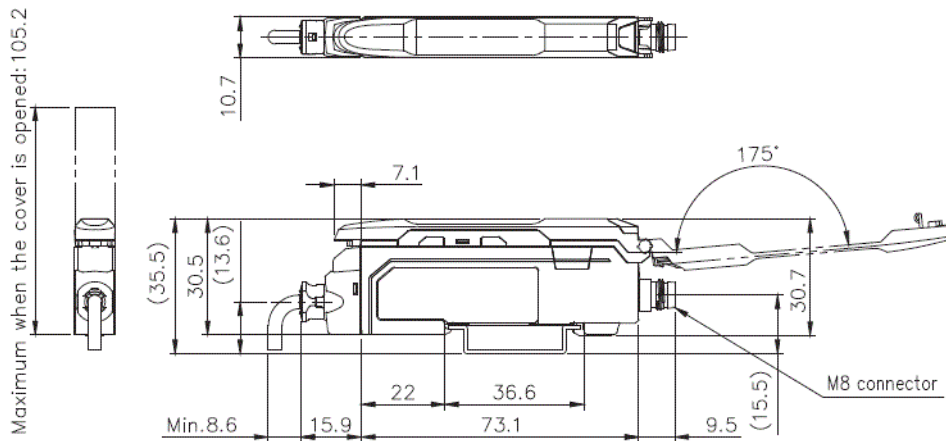
*4 When expanding the system with 4 or more expansion units, use a power voltage of 20 V or higher.

*5 Expansion by 1 or 2 units: -20 to +55°C -4°F to 131°F; Expansion by 3 to 10 units: -20 to +50°C -4°F to 122°F, Expansion by 11 to 16 units: -20 to +45°C -4°F to 113°F

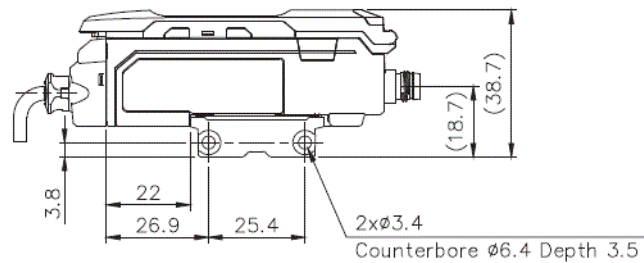
Dimensions

* Download CAD file or product manual for larger image/text and more detail.

LR-XN11C



When the mounting bracket (OP-88245) is attached



Back of securing bracket

