



IV2-G500CA

Sensor head Standard model Color AF type



SPECIFICATIONS

Model	IV2-G500CA	
Type	Standard model	
Reference distance	20 to 500 mm 0.79" to 19.69"	
Field of view	Installation distance of 20 mm 0.79": 10 (H) × 7.5 (V) mm 0.39" (H) × 0.30" (V) to Installation distance of 500 mm 19.69": 200 (H) × 150 (V) mm 7.87" (H) × 5.91" (V)	
Image receiving element	Type	1/3 inch color CMOS
	Number of pixels	752 (H) × 480 (V)
Focus adjustment	Automatic ^{*1}	
Exposure time	1/10 to 1/50000	
Lights	Illumination	White LED
	Lighting method	Switchable between pulse lighting and DC lighting
Indicators	2 (the same display details for both indicators)	
Environmental resistance	Enclosure rating	IP67 ^{*2}
	Ambient temperature	0 to +50°C 32 to 122°F (No freezing)
	Relative humidity	35 to 85% RH (No condensation)
	Vibration resistance	10 to 55 Hz; double amplitude 1.5 mm 0.06"; 2 hours in each of the X, Y, and Z directions ^{*3}
	Shock resistance	500 m/s ² 1640.4/s ² , 6 times in each of the 3 directions ^{*3}
Material	Main unit case: Zinc die-casting, Front cover: Acrylic (hard coat), Operation indicator cover: TPU	
Weight	Approx. 75 g	

^{*1} The focus position can be automatically adjusted at the time of installation. This function is deactivated during operation. A different focus position can be registered for each program.

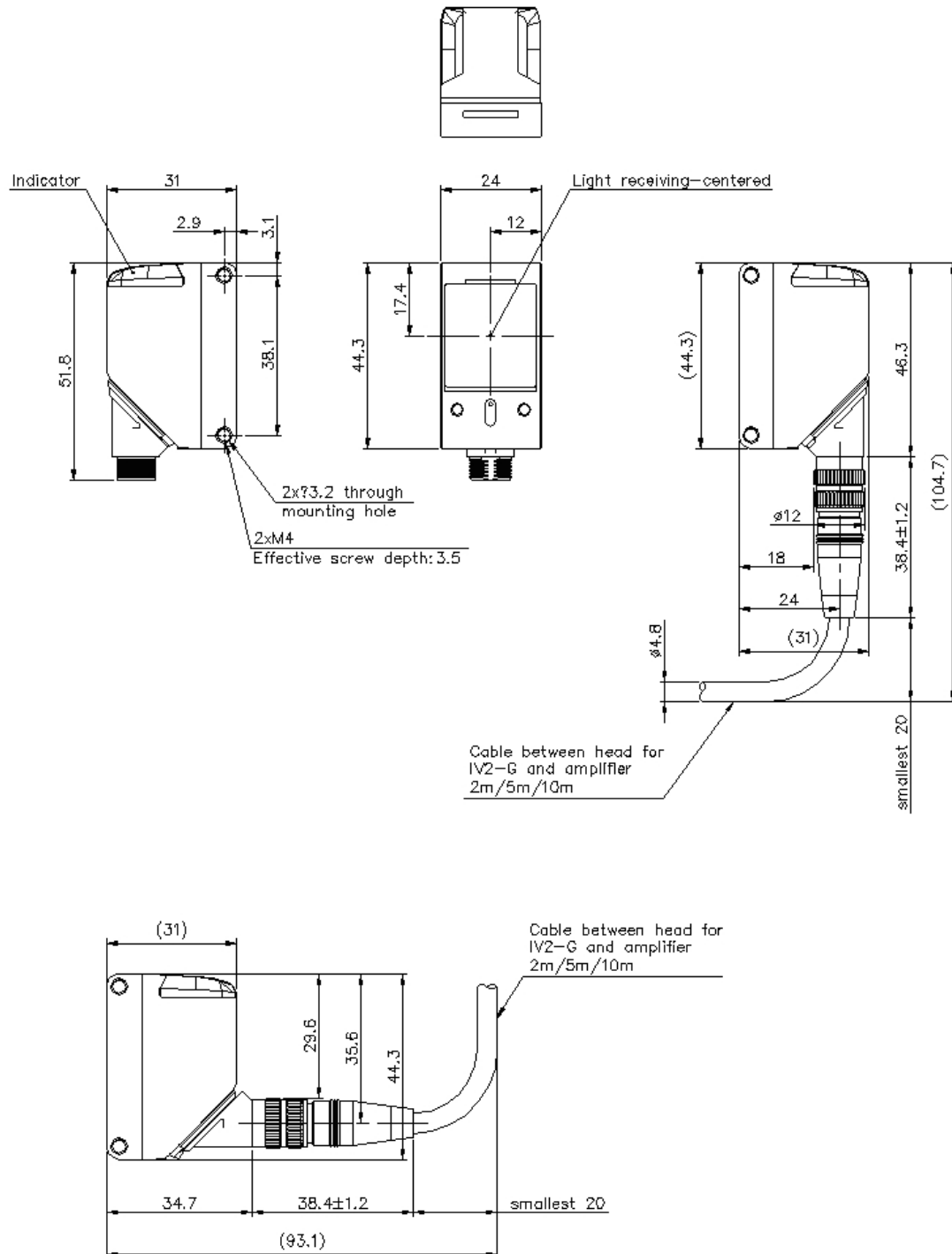
^{*2} Except when the polarized light filter attachment (OP-87899/OP-87900/OP-87901) or the magnifying lens attachment (OP-87902) is mounted.

^{*3} Except when the IV2 dome attachment (IV2-GD05/IV2-GD10) is mounted.

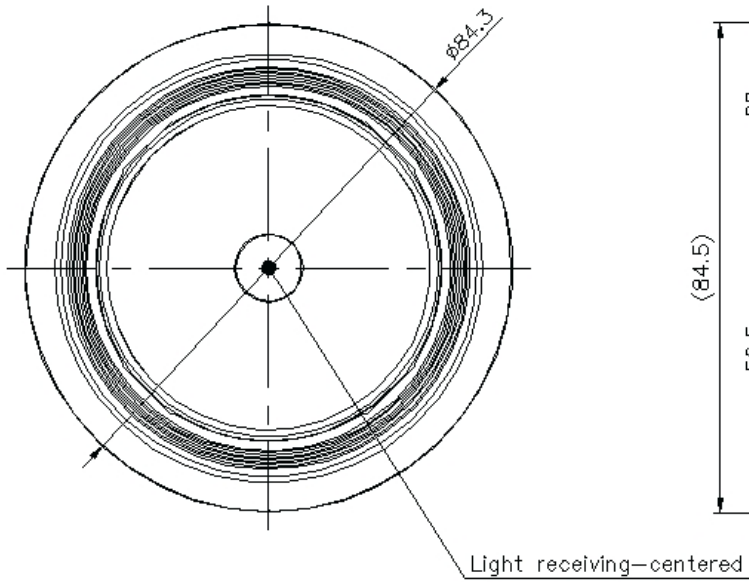
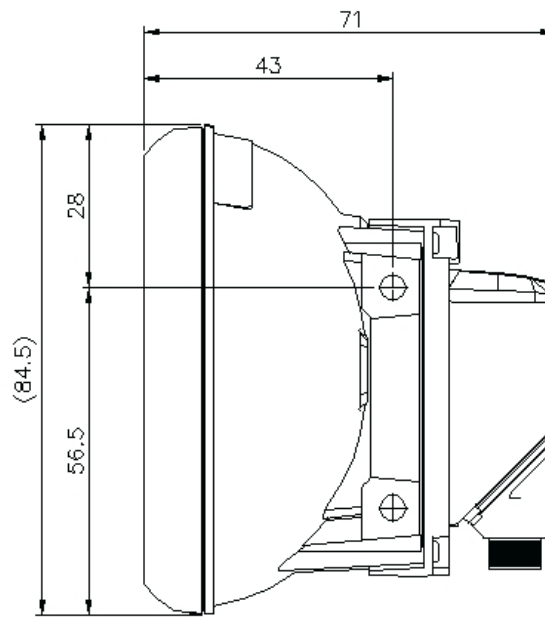
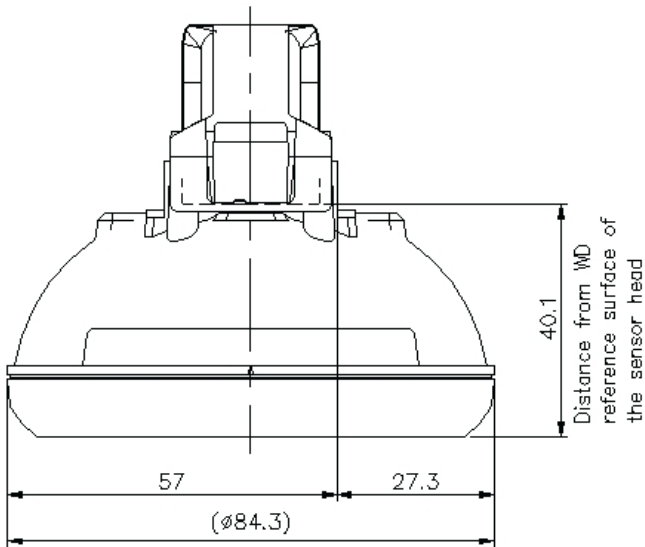
Dimensions

* Download CAD file or product manual for larger image/text and more detail.

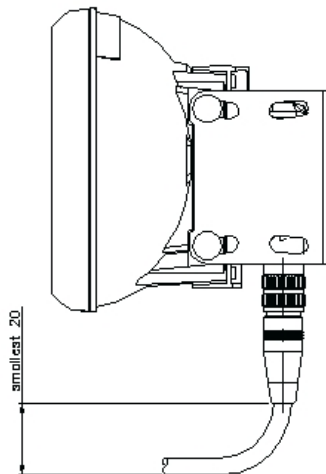
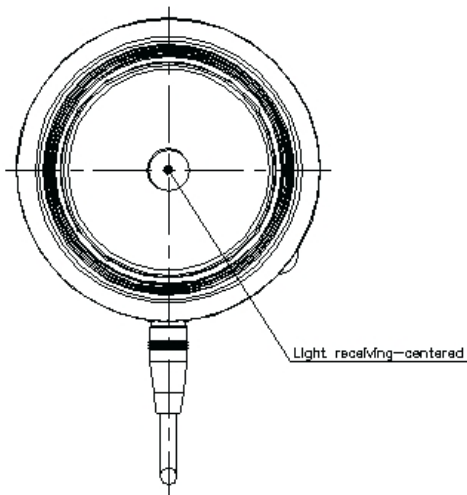
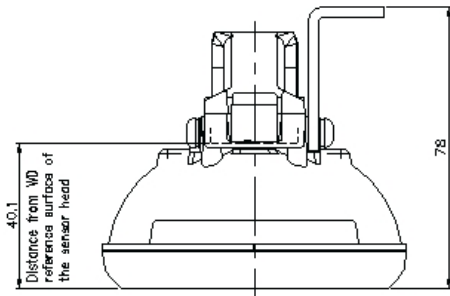
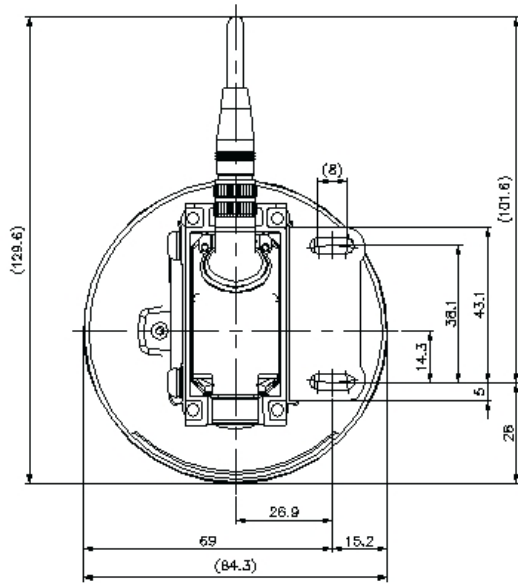
IV2-G150MA/G300CA/G500CA/G500MA/G600MA



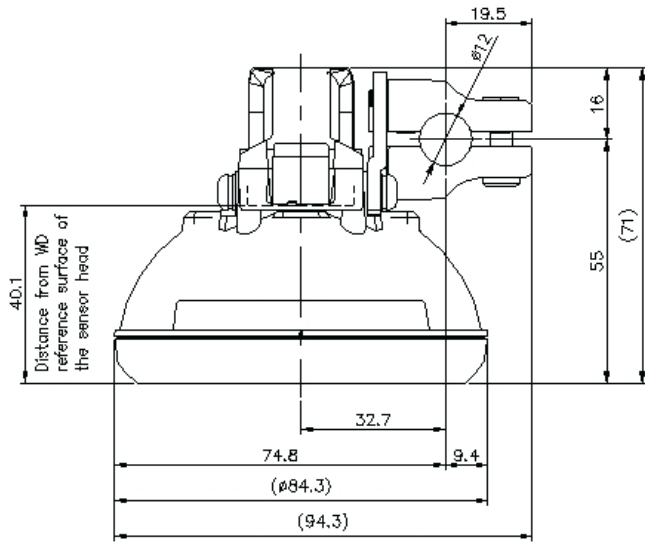
IV2-G150MA/G300CA/G500CA
/G500MA/G600MA/GD05



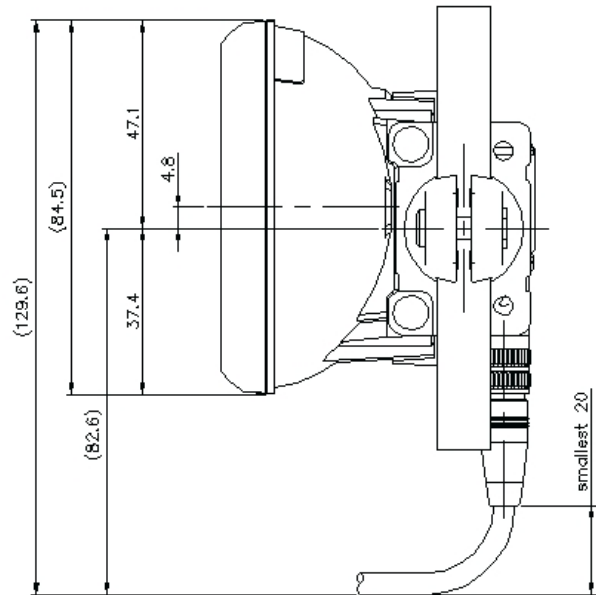
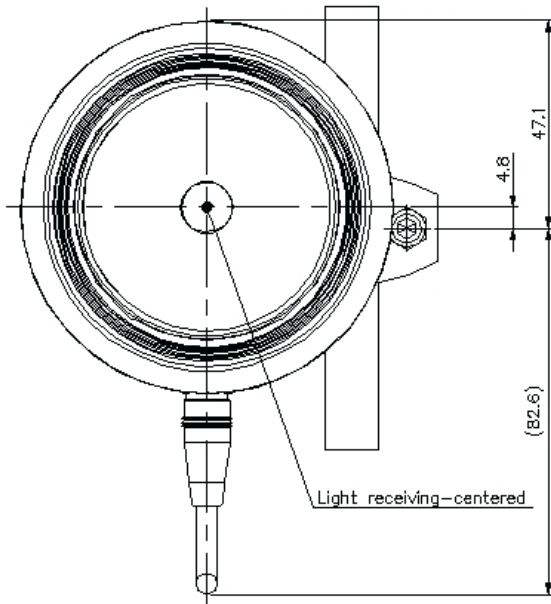
IV2-G150MA/G300CA/G500CA
/G500MA/G600MA/GD05/OP-87909



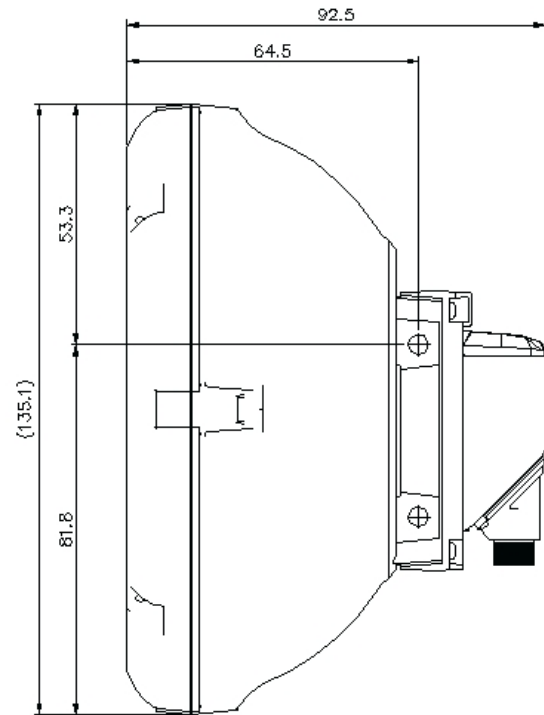
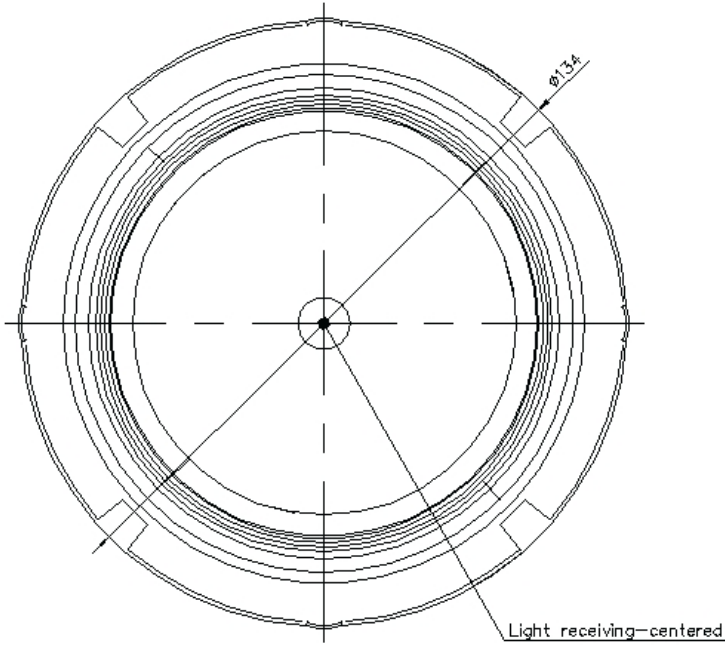
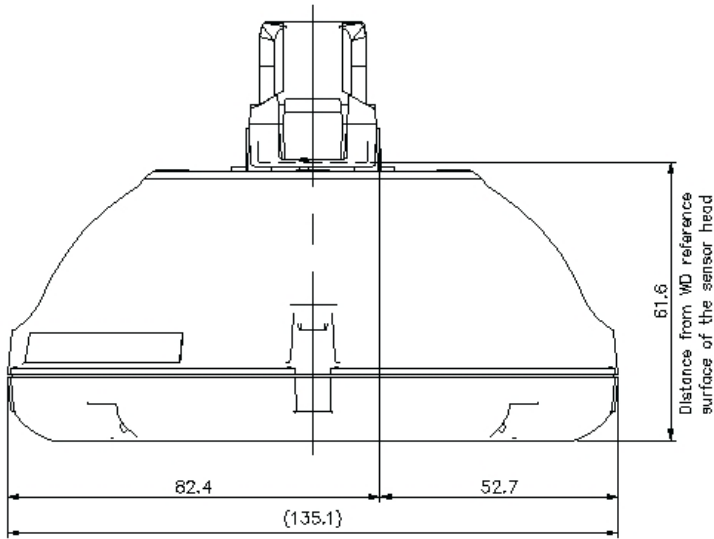
IV2-G150MA/G300CA/G500CA
/G500MA/G600MA/GD05/OP-87910

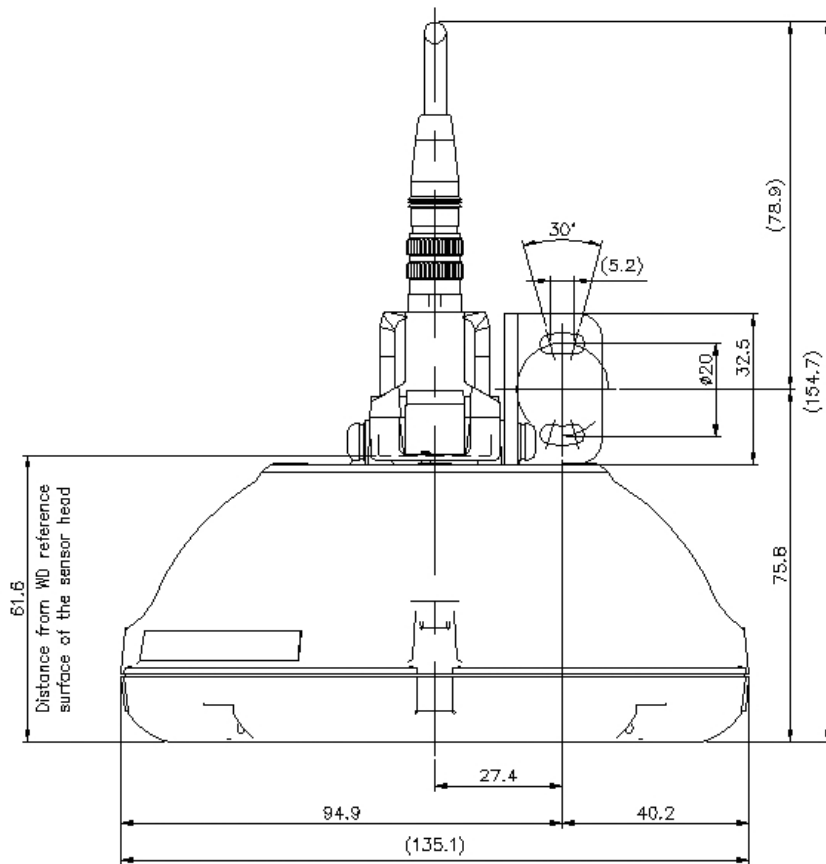


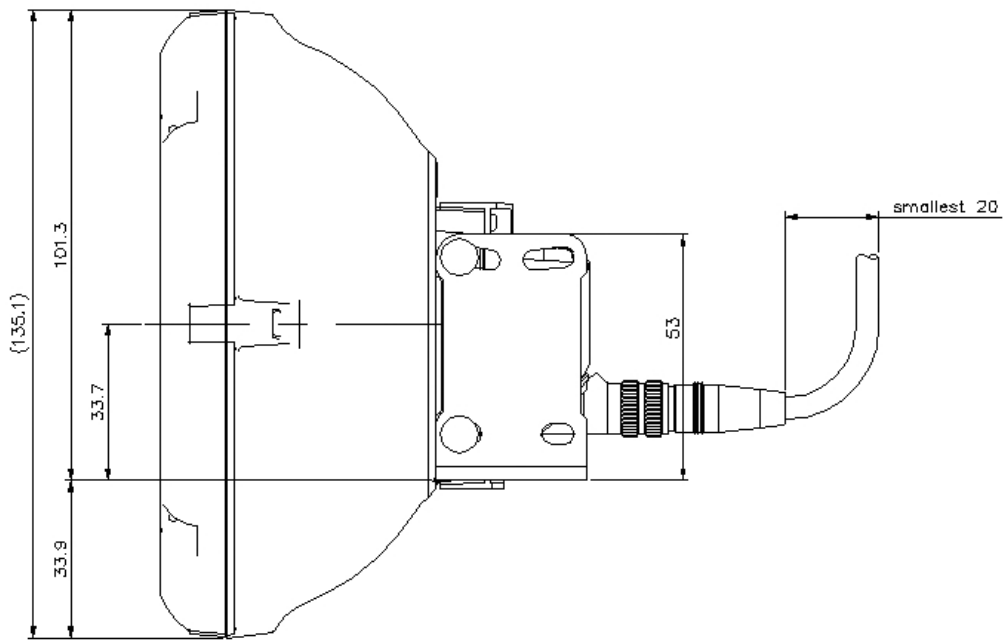
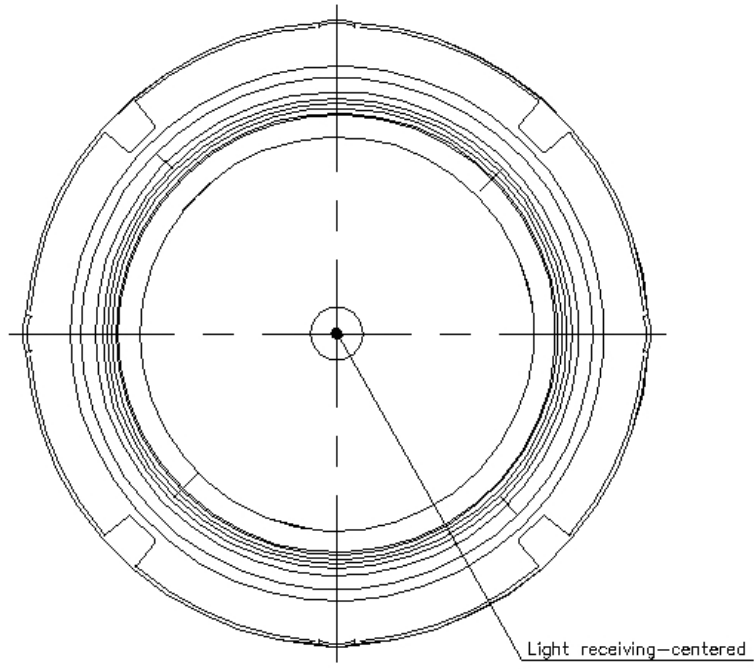
A support pipe of 712 is not included in OP-87910.



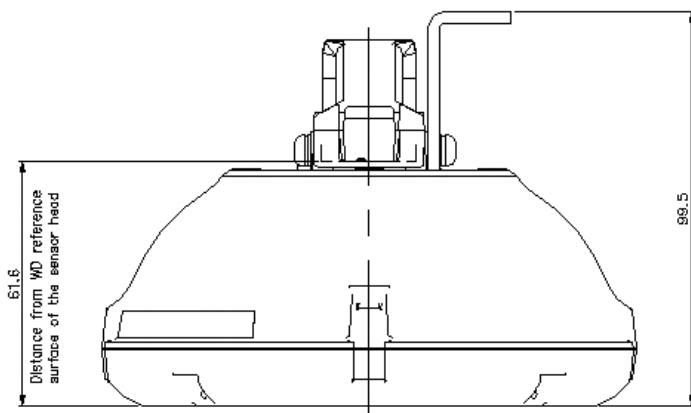
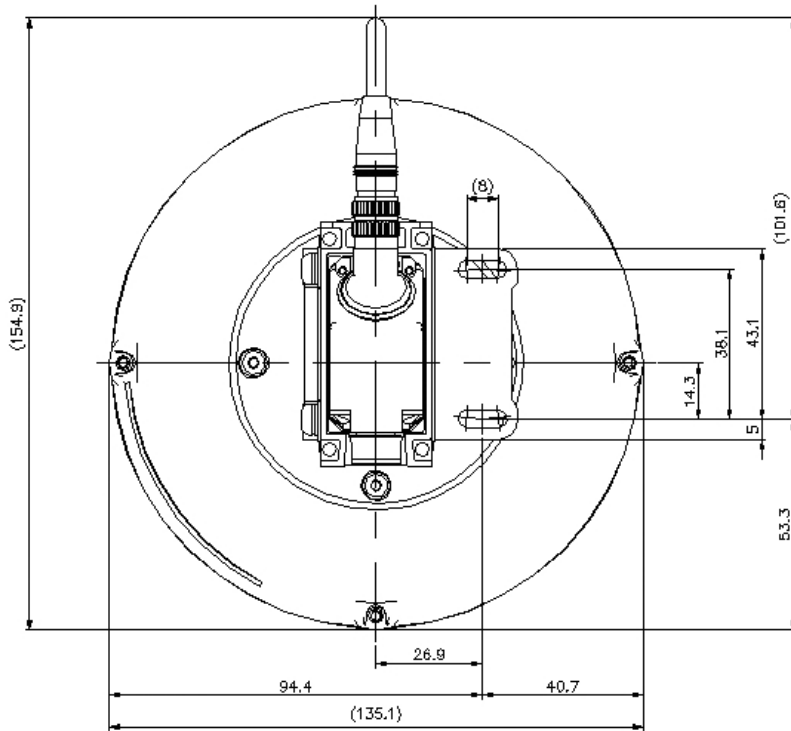
IV2-G150MA/G300CA/G500CA
/G500MA/G600MA/GD10

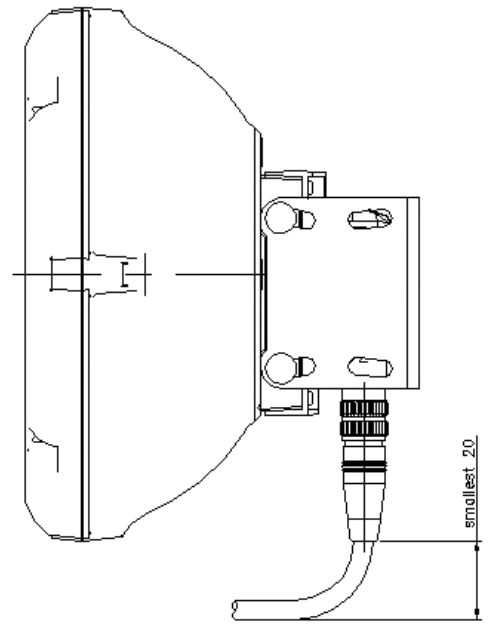
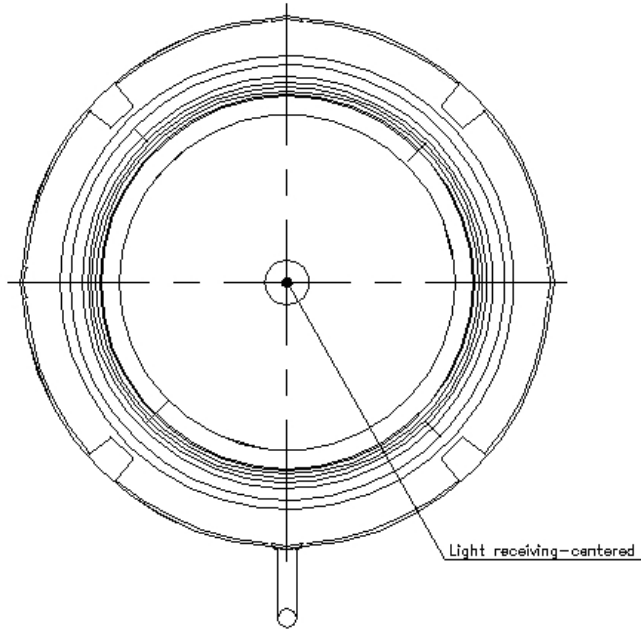


IV2-G150MA/G300CA/G500CA
/G500MA/G600MA/GD10/OP-87908

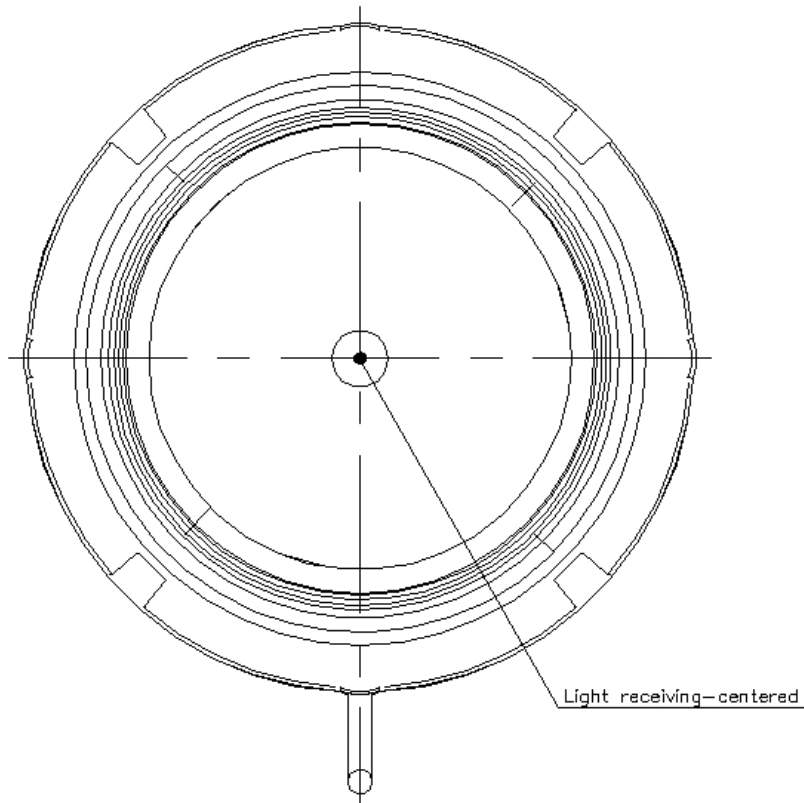
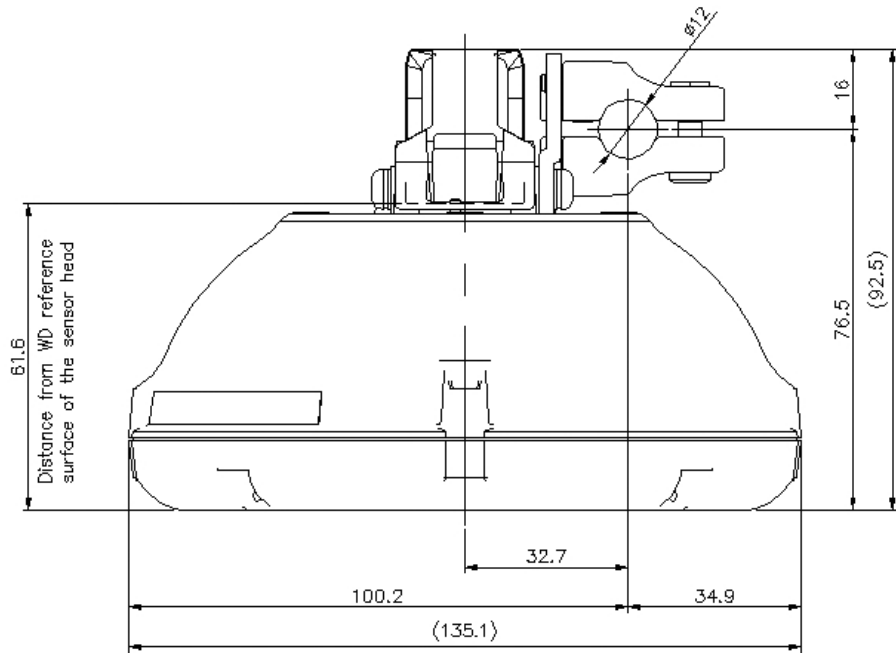


IV2-G150MA/G300CA/G500CA
/G500MA/G600MA/GD10/OP-87909

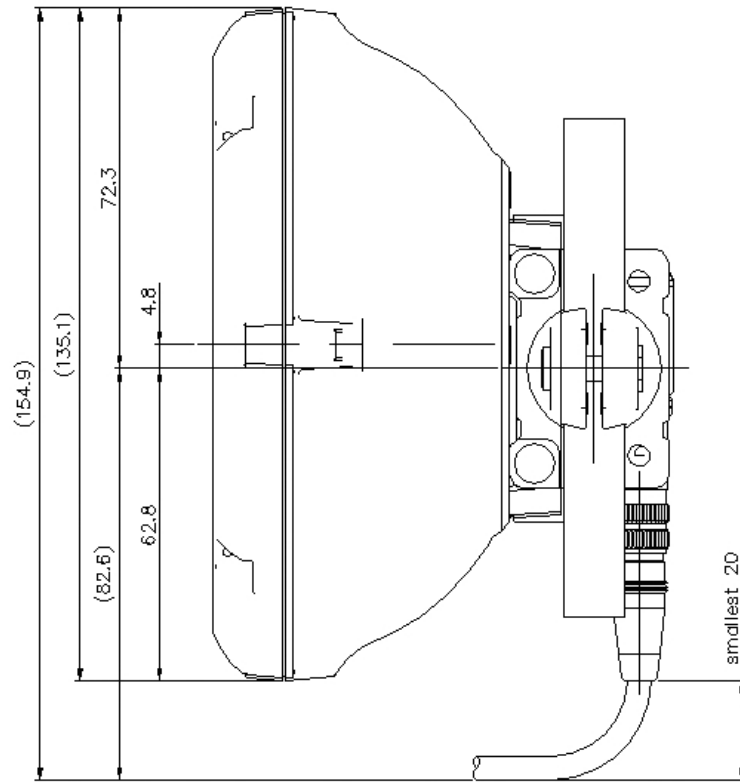




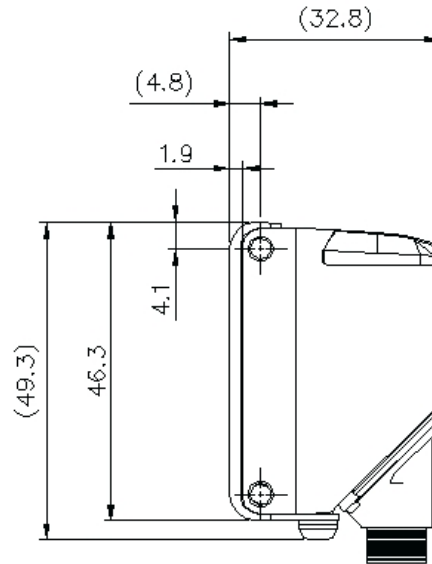
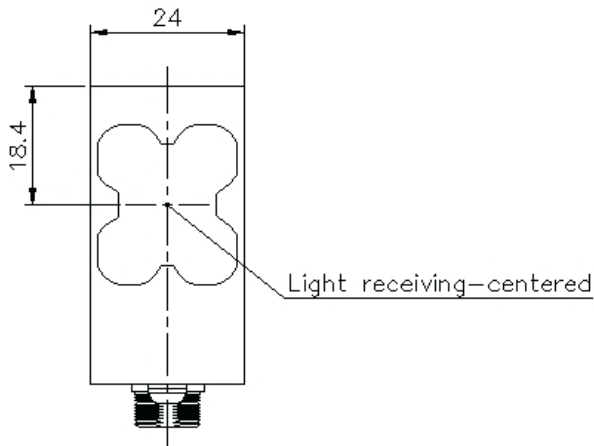
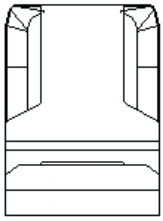
IV2-G150MA/G300CA/G500CA/G500MA/G600MA/GD10/OP-87910



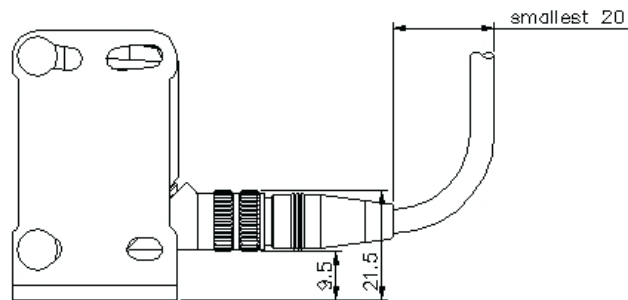
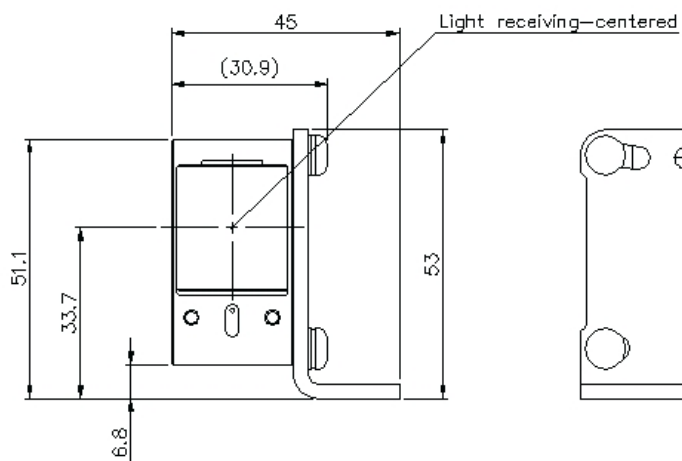
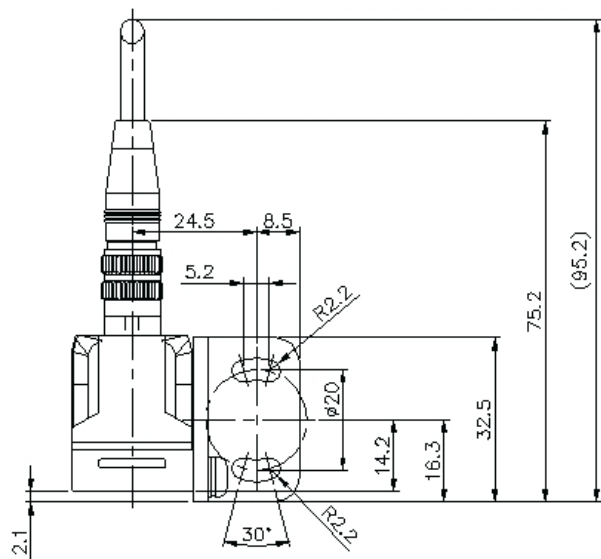
A support pipe of $\varnothing 12$ is not included
in DP-87910.



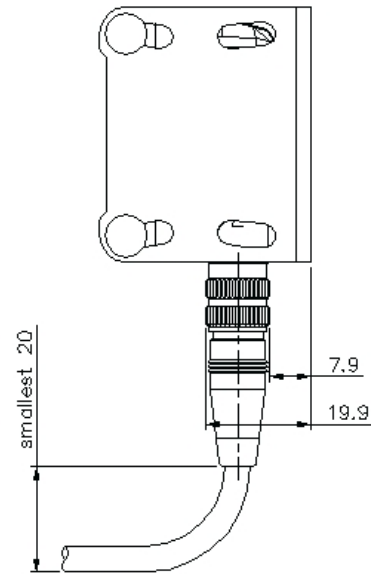
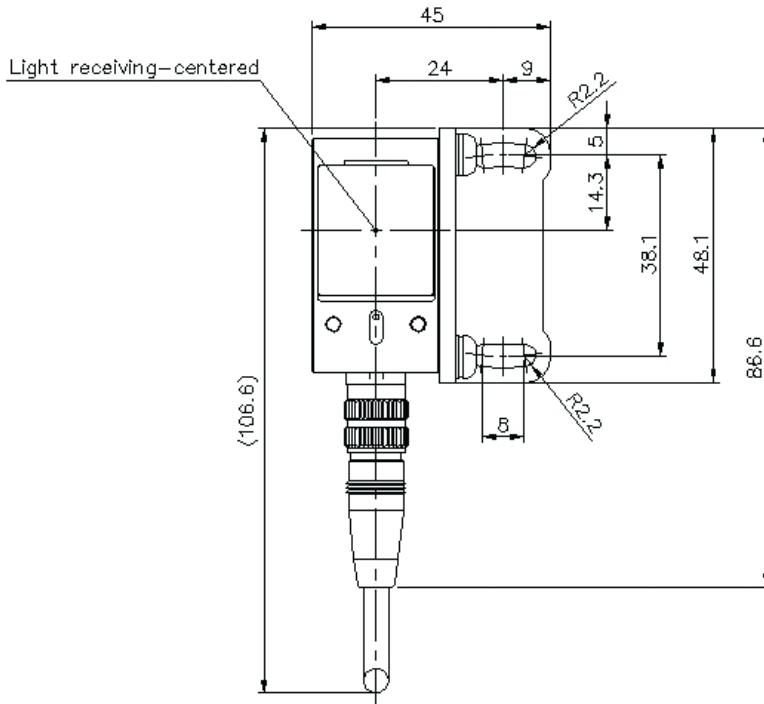
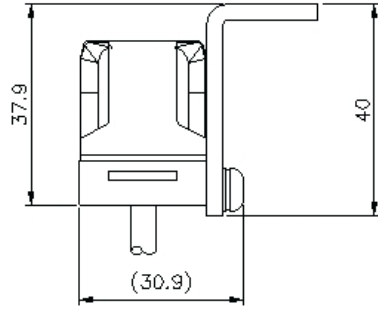
IV2-G150MA/G300CA/G500CA/G500MA
/G600MA/OP-87899/87900/87901



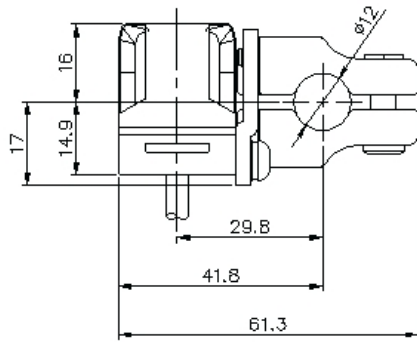
IV2-G150MA/G300CA/G500CA
/G500MA/G600MA/OP-87908



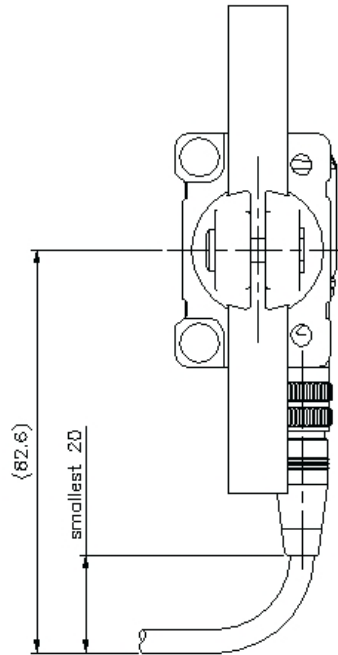
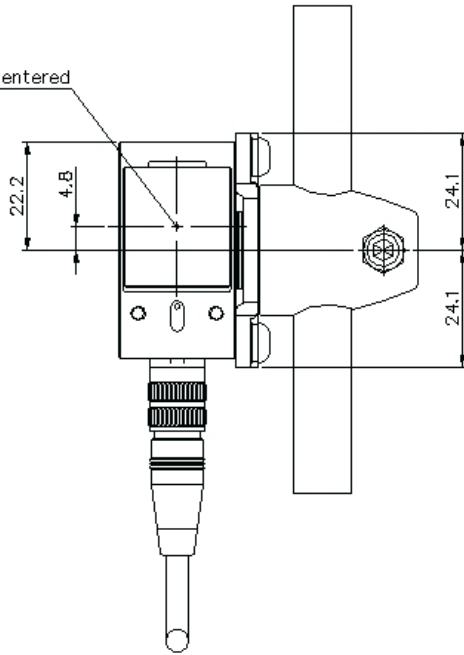
IV2-G150MA/G300CA/G500CA
/G500MA/G600MA/OP-87909



IV2-G150MA/G300CA/G500CA
/G500MA/G600MA/OP-87910



Light receiving-centered



A support pipe of 12 is not included in OP-87910.